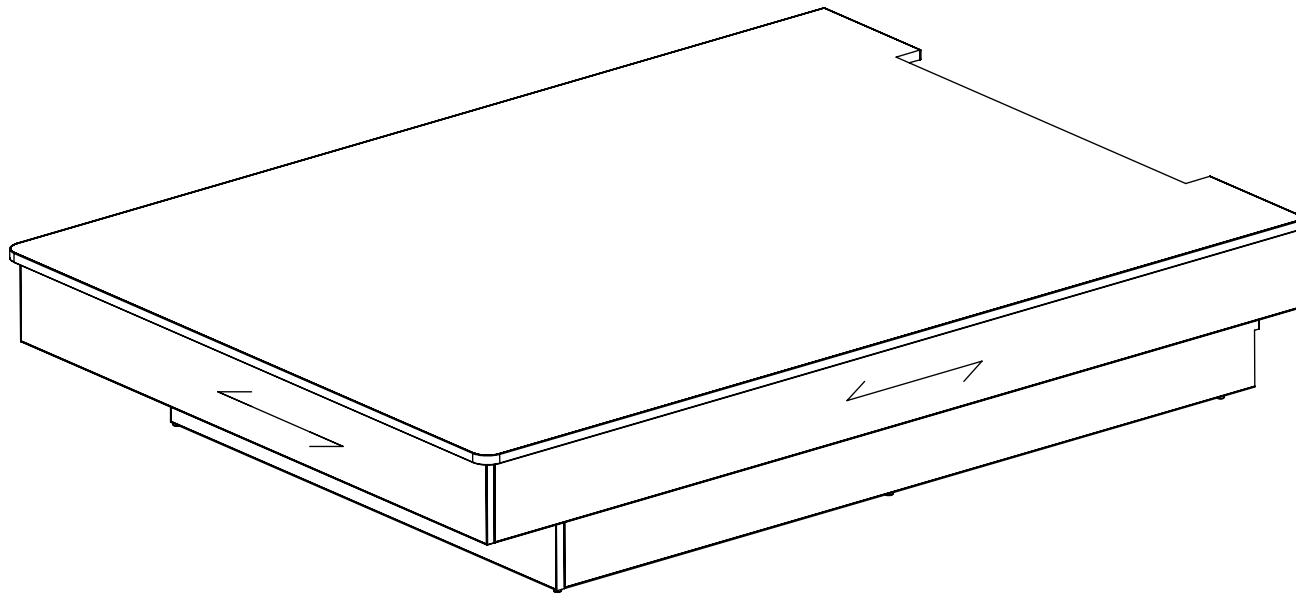


1

2



Overall:
60"W x 82 5/8"L x 16"H

- MATERIALS:**
- HP-Laminate PB-3/4" Panels
 - 2mm Edge Tape Top
 - 0.018 Edge Tape Panel
 - Nail Glide On Bottom
 - Wood Framing Support

- COMMENTS:**
- Overall: 60"W x 82 5/8"L x 16"H
 - Color: Asian Night -7949-Skirt Panels - Top Edge
Matt Black -1595-60 - Base & Top
 - Note: Dimensional Tolerance +/- 1/16"

TITLE: AHB 8170XXYY 5BB KIT - 8170M6 - Queen Bed Platform

REVISION DATE:

NOTE: DESIGN AND DRAWINGS ARE PROPERTY OF DICKSON FURNITURE MANUFACTURERS LLC AND MAY NOT BE DUPLICATED OR REPRODUCED WITHOUT THE EXPRESS WRITTEN CONSENT OF DICKSON FURNITURE MANUFACTURERS LLC

REV
A
DIMENSIONS
ARE IN
INCHES

DICKSON
FURNITURE MANUFACTURERS

SCALE: 1:15
SHEET 1 OF 5

1

2

A

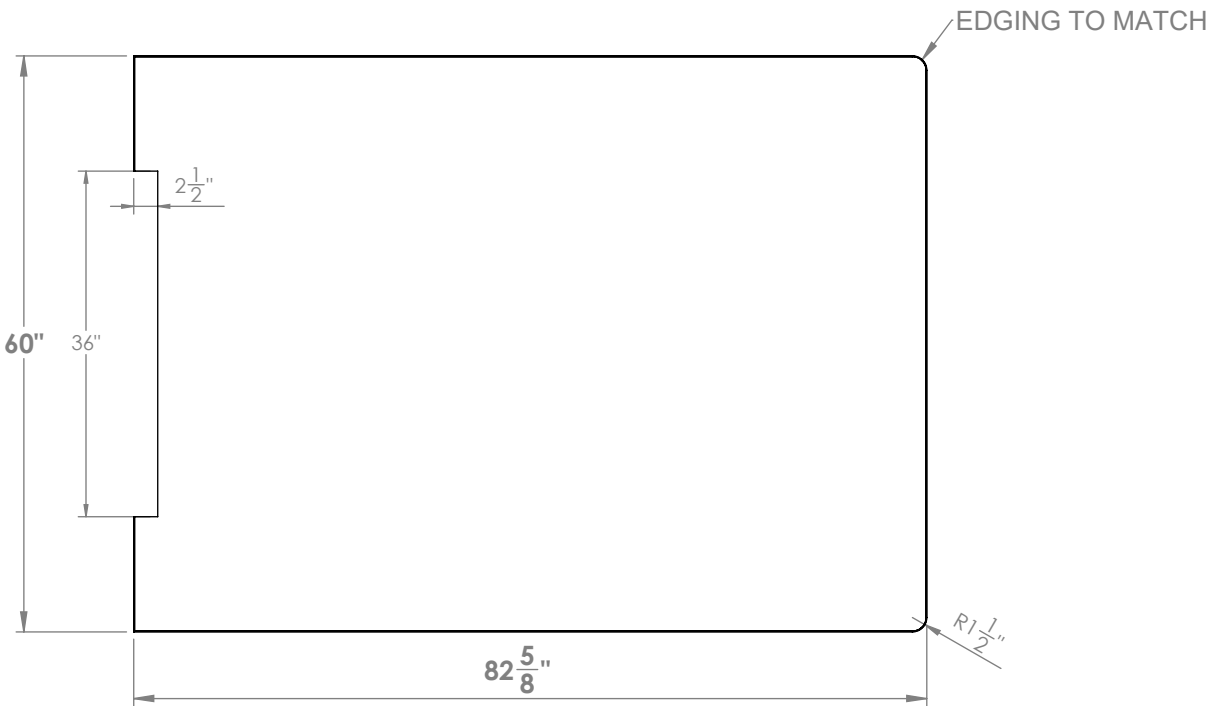
A

B

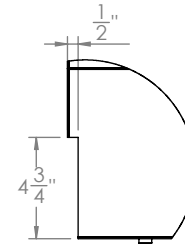
B

1

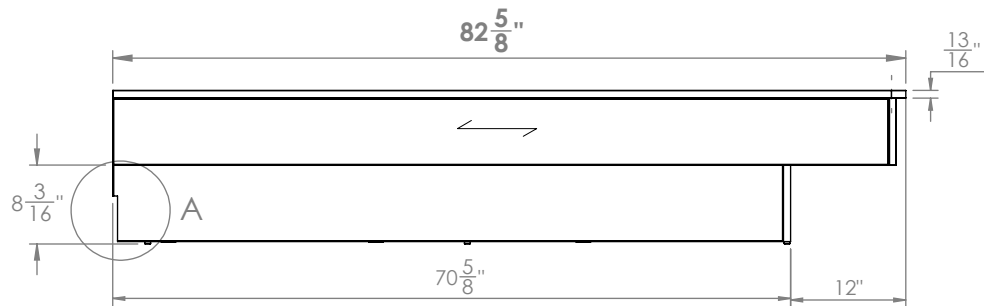
2



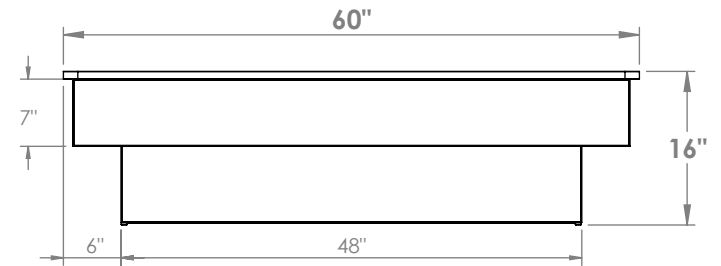
TOP VIEW



DETAIL A
BACK CUT



SIDE VIEW



FRONT ELEVATION

MATERIALS:

- HP-Laminate PB-3/4" Panels
- 2mm Edge Tape Top
- 0.018 Edge Tape Panel
- Nail Glide On Bottom
- Wood Framing Support

COMMENTS:

- Overall: 60"W x 82 5/8"L x 16"H
- Color: Asian Night -7949-Skirt Panels - Top Edge
- Matt Black -1595-60 - Base & Top
- Note: Dimensional Tolerance +/- 1/16"

TITLE: AHB 8170XXYY 5BB KIT - 8170M6 - Queen Bed Platform

REVISION DATE:

NOTE: DESIGN AND DRAWINGS ARE PROPERTY OF DICKSON FURNITURE MANUFACTURERS LLC AND MAY NOT BE DUPLICATED OR REPRODUCED WITHOUT THE EXPRESS WRITTEN CONSENT OF DICKSON FURNITURE MANUFACTURERS LLC

REV
A

DIMENSIONS
ARE IN
INCHES

DICKSON
FURNITURE MANUFACTURERS

SCALE: 1:18

SHEET 2 OF 5

1

2

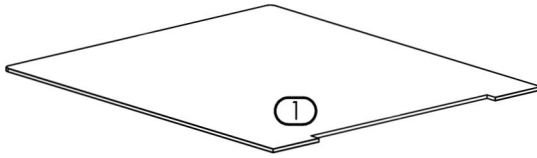
STEP #1

ASSEMBLY INSTRUCTIONS

- AHB 8170XXYY 5BB KIT - 8170M6 - Queen Bed Platform -

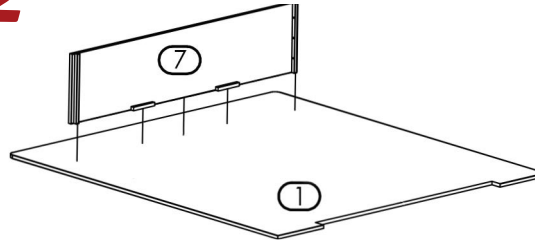
Note: For best results, bed should be built starting with the top side face down.

1



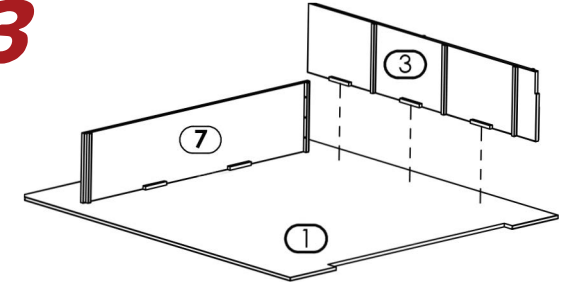
Top Panel (1) upside down on floor.

2



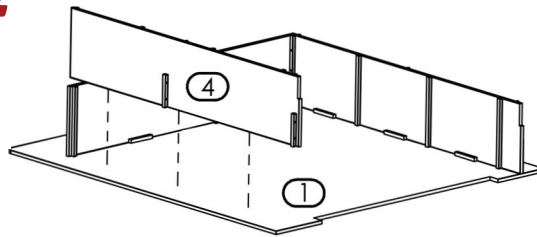
Place Front Panel (7) on Top Panel (1).

3



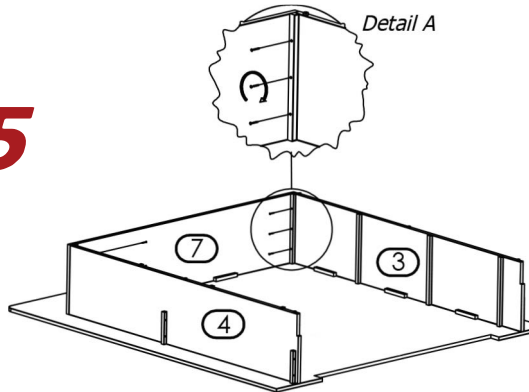
Place Side Panel Right (3) on Top Panel (1).

4



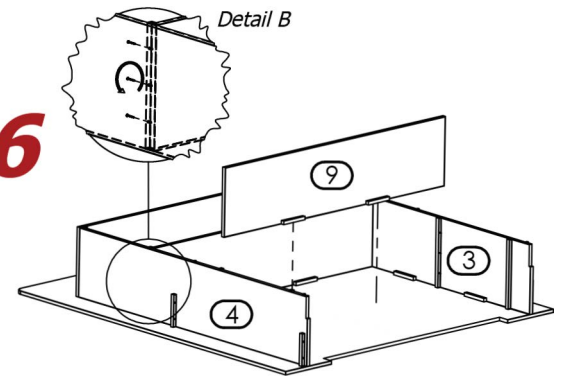
Place Side Panel Left (4) on Top Panel (1).

5



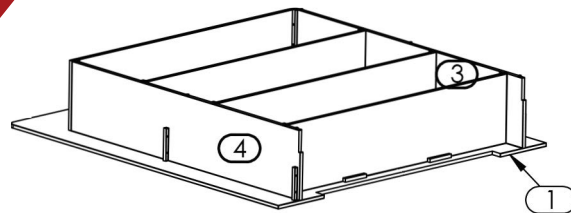
Align and attach Front Panel (7) to Side Panel Right (3) then Panel Left (4). (Reference Detail A).

6

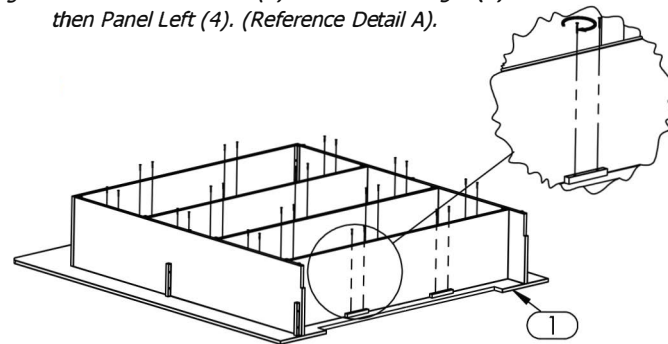


Insert Center Panels (9), align & attach to Side Panels (3)(4). (Reference Detail B).

7



Align Flush the Back Face of Side Panel (3)(4) and Top Panel (1).



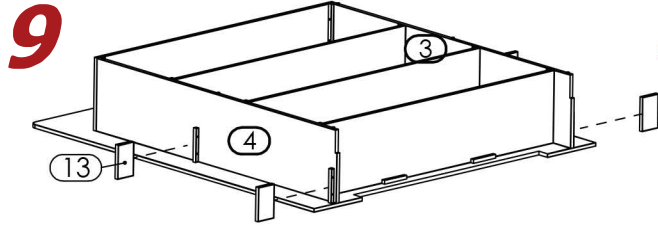
Align assembled Bed Base to taped guides on Top Panel (1) and attach them. (Reference Detail C).

DICKSON
FURNITURE MANUFACTURERS

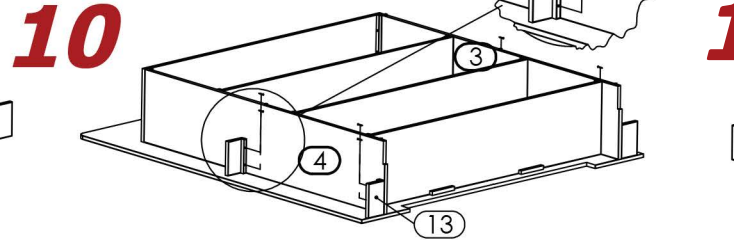
STEP #2

ASSEMBLY INSTRUCTIONS

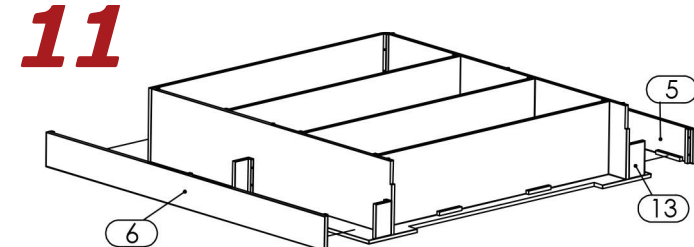
- AHB 8170XXYY 5BB KIT - 8170M6 - Queen Bed Platform -



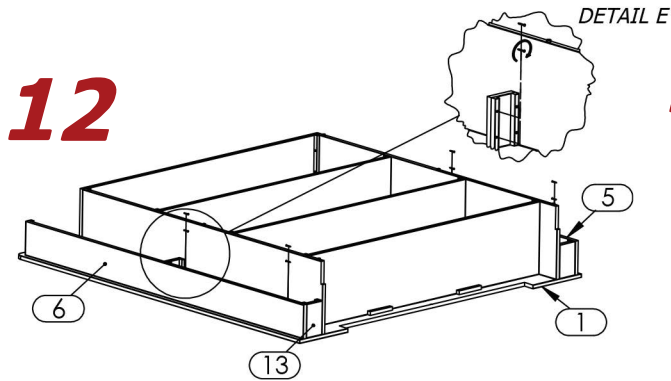
Place Blocking (13) to both Side Panels (3)(4)



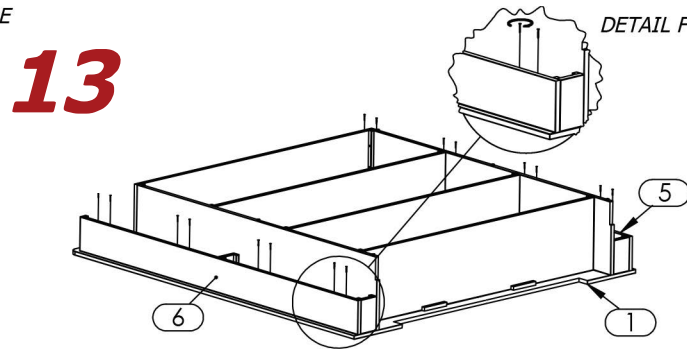
Attach Blocking (13) to both Side Panels (3)(4) (Reference Detail D).



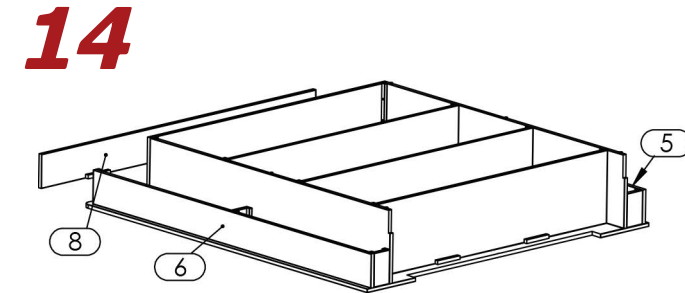
Place Side Aprons (5)(6) to Blockings (13)



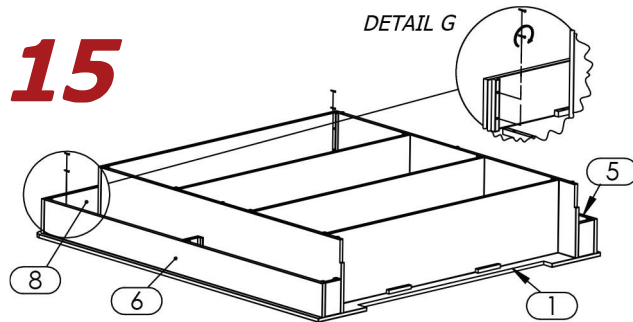
Flush Side Aprons (5)(6) to Back of Top Panel (1) and attach Side Aprons (5)(6) to Blocking (13) (Reference Detail E).



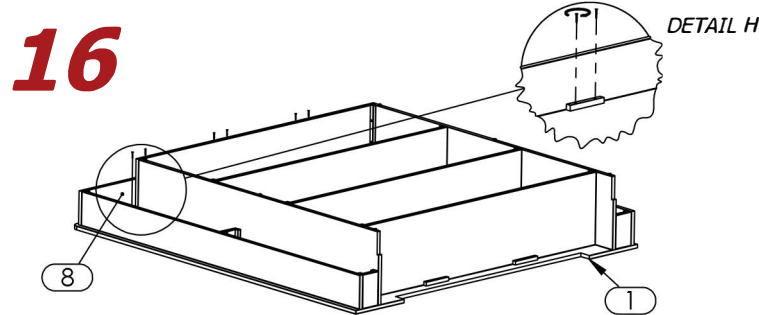
Attach Side Aprons (5)(6) to Top Panel (1) (Reference Detail F).



Place Front Apron (8) to Side Aprons (5)(6).



Attach Front Apron (8) to Side Aprons (5)(6) + Top Panel (1) (Reference Detail G).



Attach Front Apron (8) to Top Panel (1) (Reference Detail H).

DICKSON

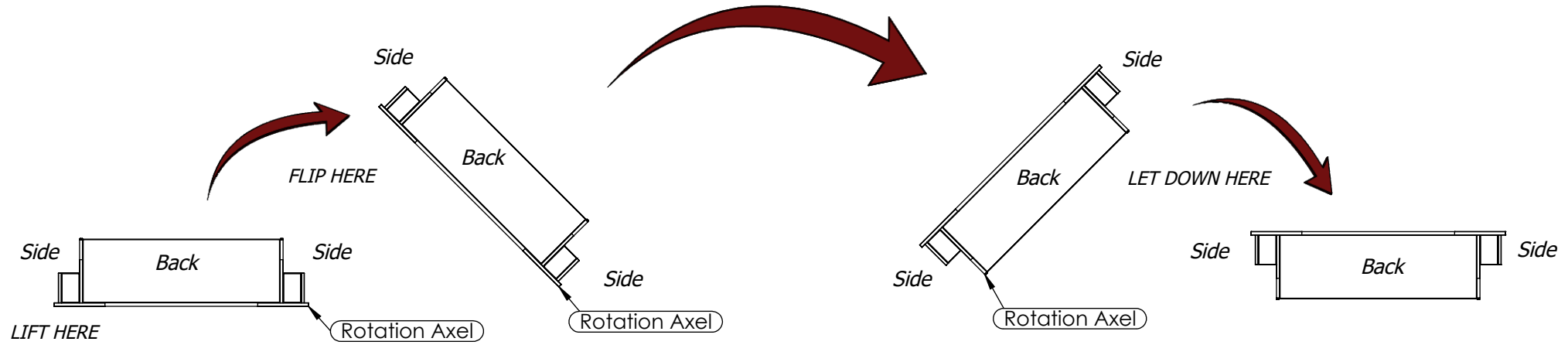
FURNITURE MANUFACTURERS

STEP #3

Note: To flip this bed, please use at least 2 people.

ASSEMBLY INSTRUCTIONS

- AHB 8170XXYY 5BB KIT - 8170M6 - Queen Bed Platform -



Flip Upright

