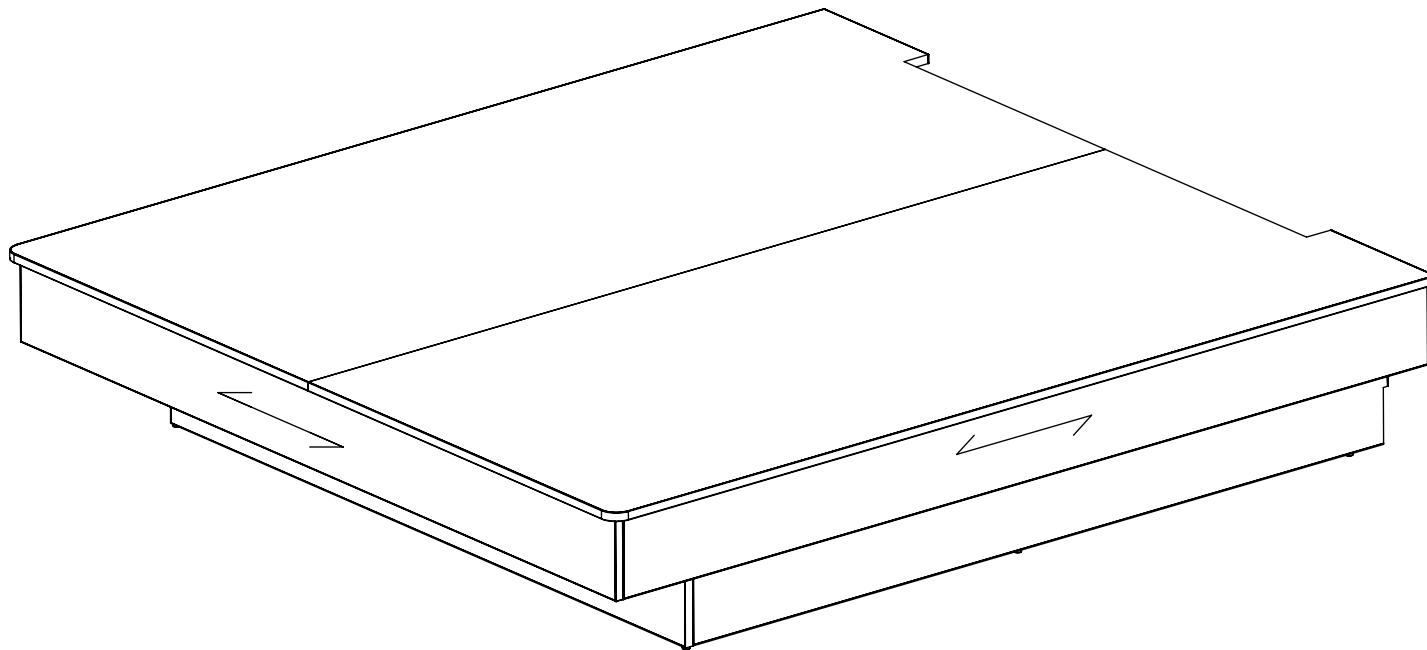


1

2

A

A



B

B

Overall:
76"W x 82 5/8"L x 16"H

MATERIALS:

- HPL PB-3/4" Panels
- 0.018 Edge Tape
- T-Mold Edge On Top
- Nail Glide On Bottom
- Wood Framing Support

COMMENTS:

- Overall: 76"W x 82 5/8"L x 16"H
- Color: Asian Night - Skirt Panels - Top Edge Matte Black - Base & Top

TITLE: AHF 8170XXYY 6BB - 8170M6 - King Bed Platform

REVISION DATE:

NOTE: DESIGN AND DRAWINGS ARE PROPERTY OF DICKSON FURNITURE MANUFACTURERS LLC AND MAY NOT BE DUPLICATED OR REPRODUCED WITHOUT THE EXPRESS WRITTEN CONSENT OF DICKSON FURNITURE MANUFACTURERS LLC

DICKSON
FURNITURE MANUFACTURERS

REV
A
DIMENSIONS ARE IN INCHES

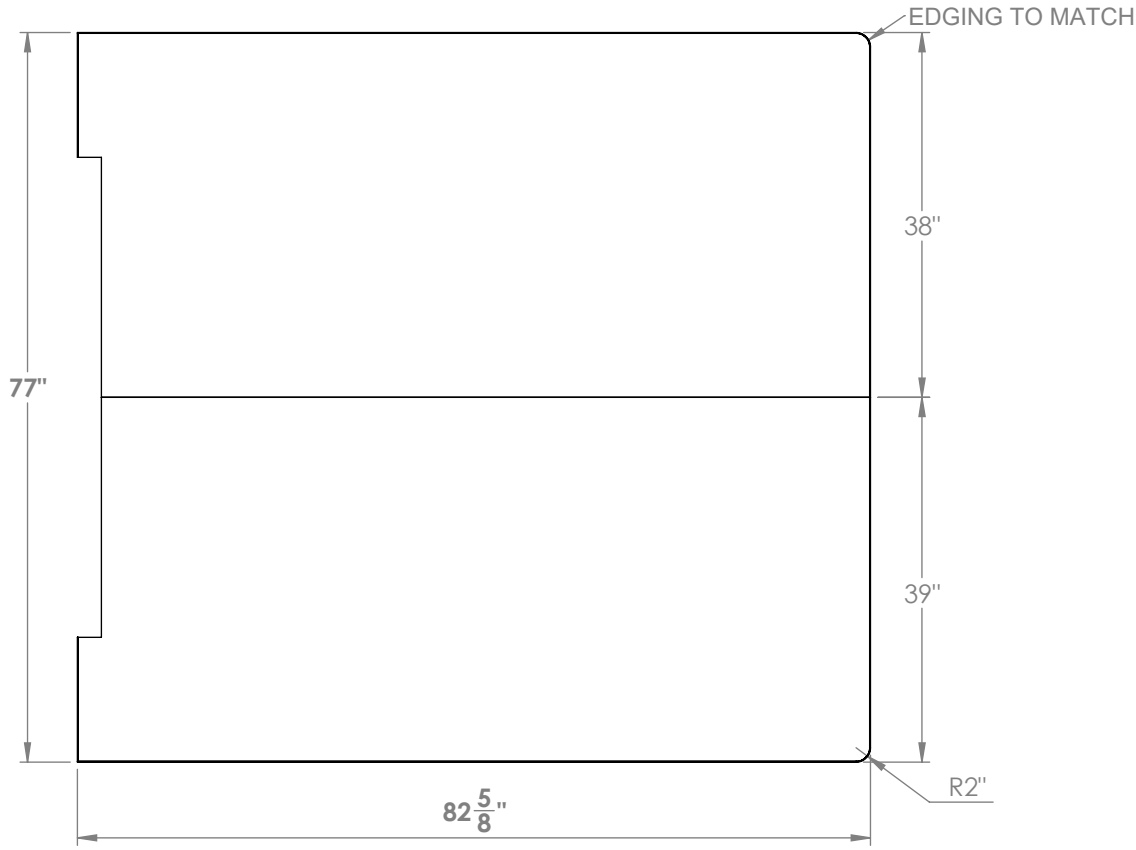
SCALE: 1:15
SHEET 1 OF 5

1

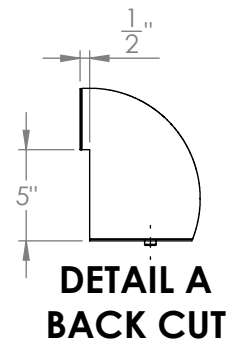
2

1

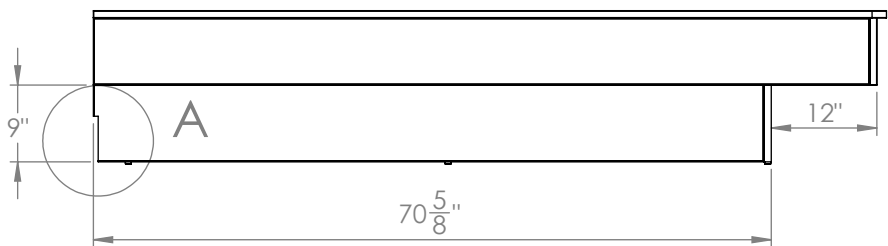
2



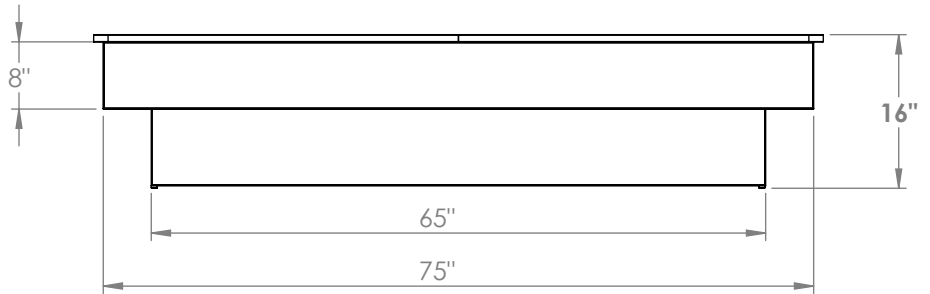
TOP VIEW



DETAIL A
BACK CUT



SIDE VIEW



FRONT ELEVATION

- MATERIALS:**
- HPL PB-3/4" Panels
 - 0.018 Edge Tape
 - T-Mold Edge On Top
 - Nail Glide On Bottom
 - Wood Framing Support

- COMMENTS:**
- Overall: 76"W x 82 5/8"L x 16"H
 - Color: Asian Night - Skirt Panels - Top Edge Matte Black - Base & Top

TITLE: AHF 8170XXYY 6BB - 8170M6 - King Bed Platform
REVISION DATE:
 NOTE: DESIGN AND DRAWINGS ARE PROPERTY OF DICKSON FURNITURE MANUFACTURERS LLC AND MAY NOT BE DUPLICATED OR REPRODUCED WITHOUT THE EXPRESS WRITTEN CONSENT OF DICKSON FURNITURE MANUFACTURERS LLC

DICKSON
 FURNITURE MANUFACTURERS

REV **A**
 DIMENSIONS ARE IN INCHES

SCALE: 1:20
 SHEET 2 OF 5

1

2

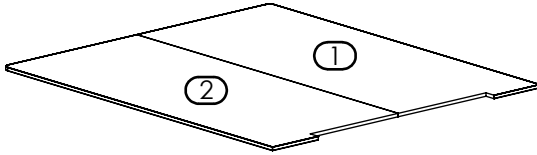
STEP #1

ASSEMBLY INSTRUCTIONS

- AHF 8170XXYY 6BB - 8170M6 - King Bed Platform -

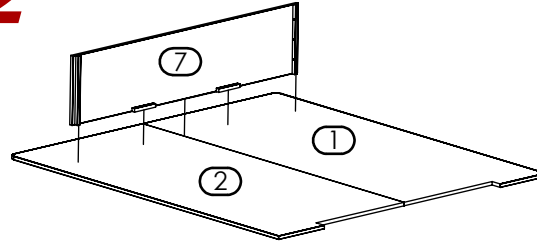
Note: For best results, bed should be built starting with the top sides down. (1 and 2 face down)

1



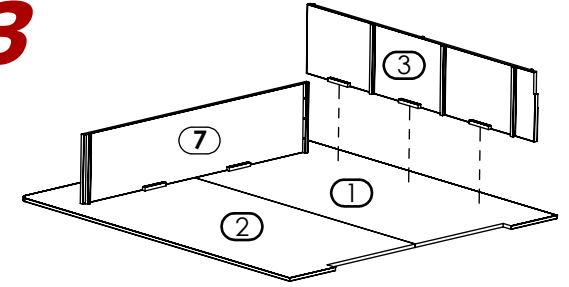
Align Top Panels (1)(2) upside down on Floor

2



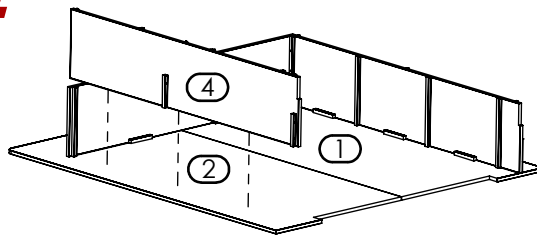
Place Front Panel (7) on Top Panels (1)(2)

3



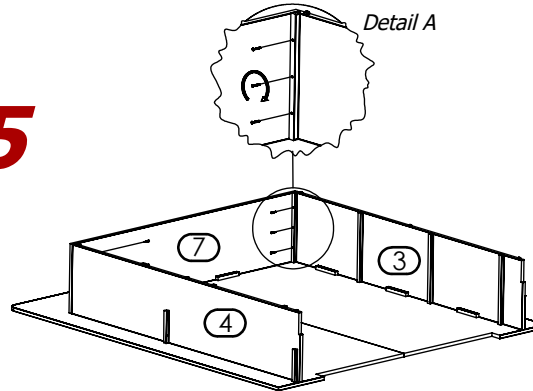
Place Side Panel Right (3) on Top Panels(1)(2)

4



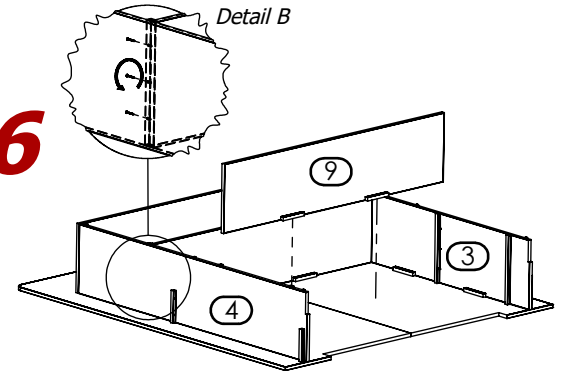
Place Side Panel Left (4) on Top Panels (1)(2)

5



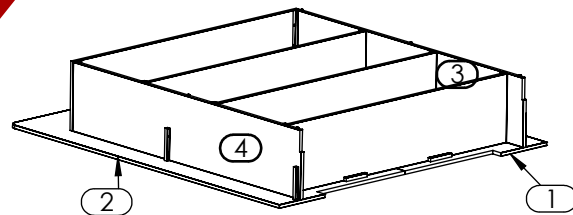
Align and attach Front Panel (7) to Side Panel Right (3) then Panel Left (4). (Reference Detail A).

6



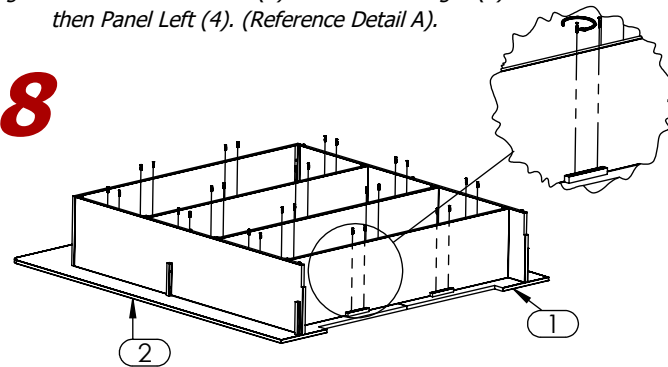
Insert Center Panels (9), align & attach to Side Panels (3)(4). (Reference Detail B).

7



Align Flush the Back Face of Side Panel (3)(4) and Top Panels(1)(2).

8



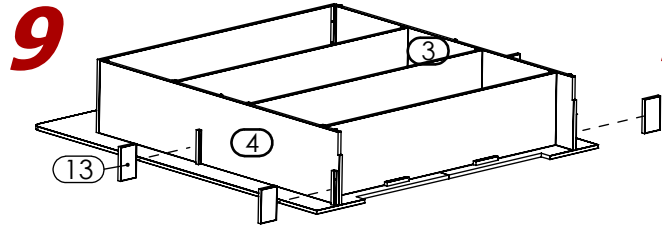
Align assembled Bed Base to taped guides on Top Panels (1)(2) and attach them. (Reference Detail C).

DICKSON
FURNITURE MANUFACTURERS

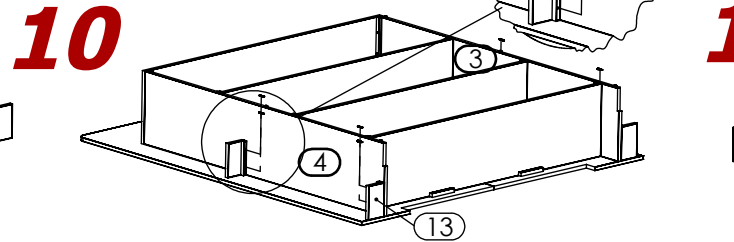
STEP #2

ASSEMBLY INSTRUCTIONS

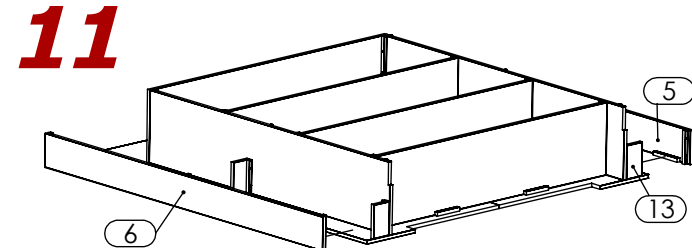
- AHF 8170XXYY 6BB - 8170M6 - King Bed Platform -



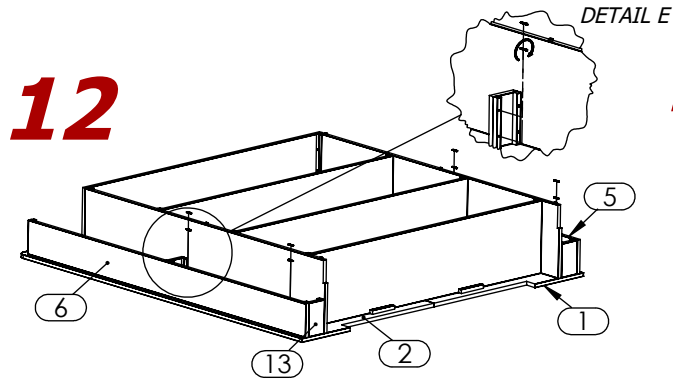
Place Blocking (13) to both Side Panels (3)(4)



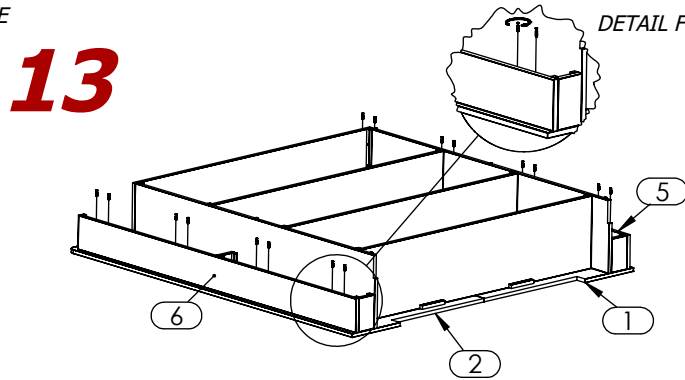
Attach Blocking (13) to both Side Panels (3)(4) (Reference Detail D).



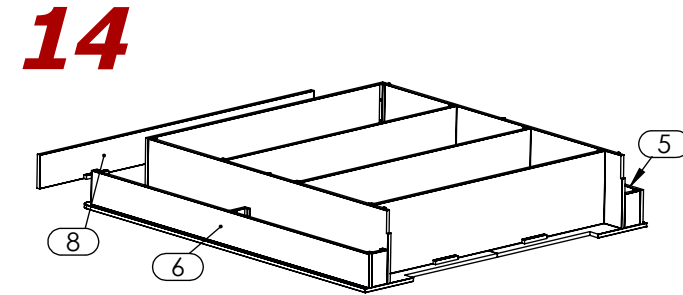
Place Side Aprons (5)(6) to Blockings (13)



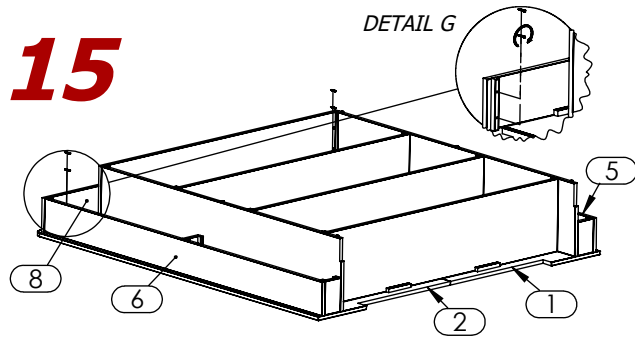
Flush Side Aprons (5)(6) to Back of Top Panel (1)(2) and attach Side Aprons (5)(6) to Blocking (13) (Reference Detail E).



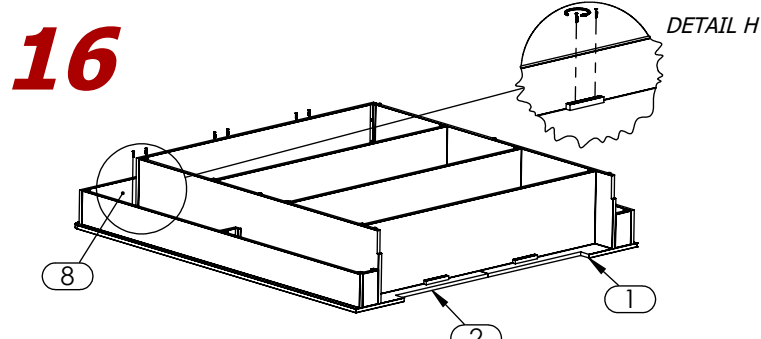
Attach Side Aprons (5)(6) to Top Panels (1)(2) (Reference Detail F).



Place Front Apron (8) to Side Aprons (5)(6).



Attach Front Apron (8) to Side Aprons (5)(6) + Top Panels (1)(2) (Reference Detail G).



Attach Front Apron (8) to Top Panels (1)(2) (Reference Detail H).

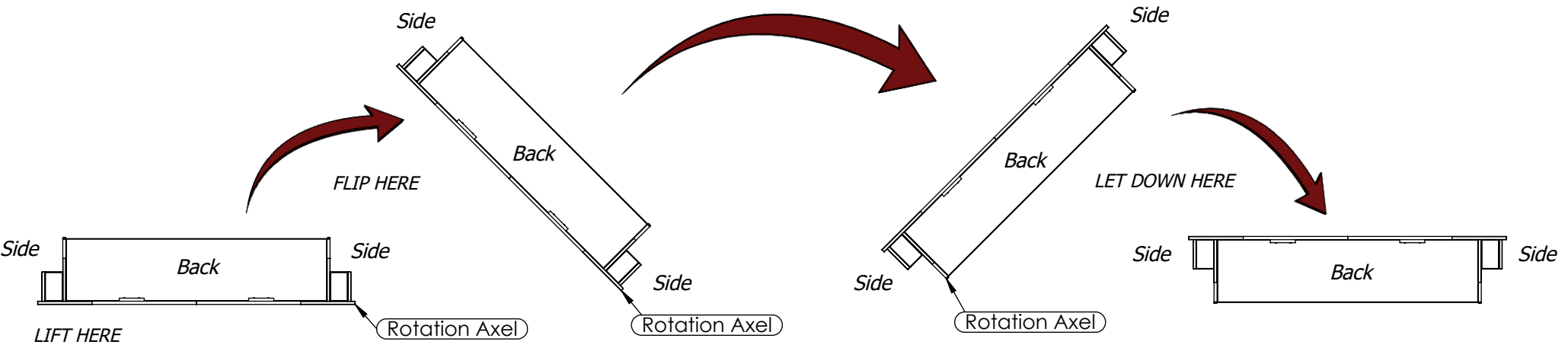
DICKSON
FURNITURE MANUFACTURERS

STEP #3

Note: To flip this bed, please use at least 2 people.

ASSEMBLY INSTRUCTIONS

- AHF 8170XXYY 6BB - 8170M6 - King Bed Platform -



Flip Upright

