

1

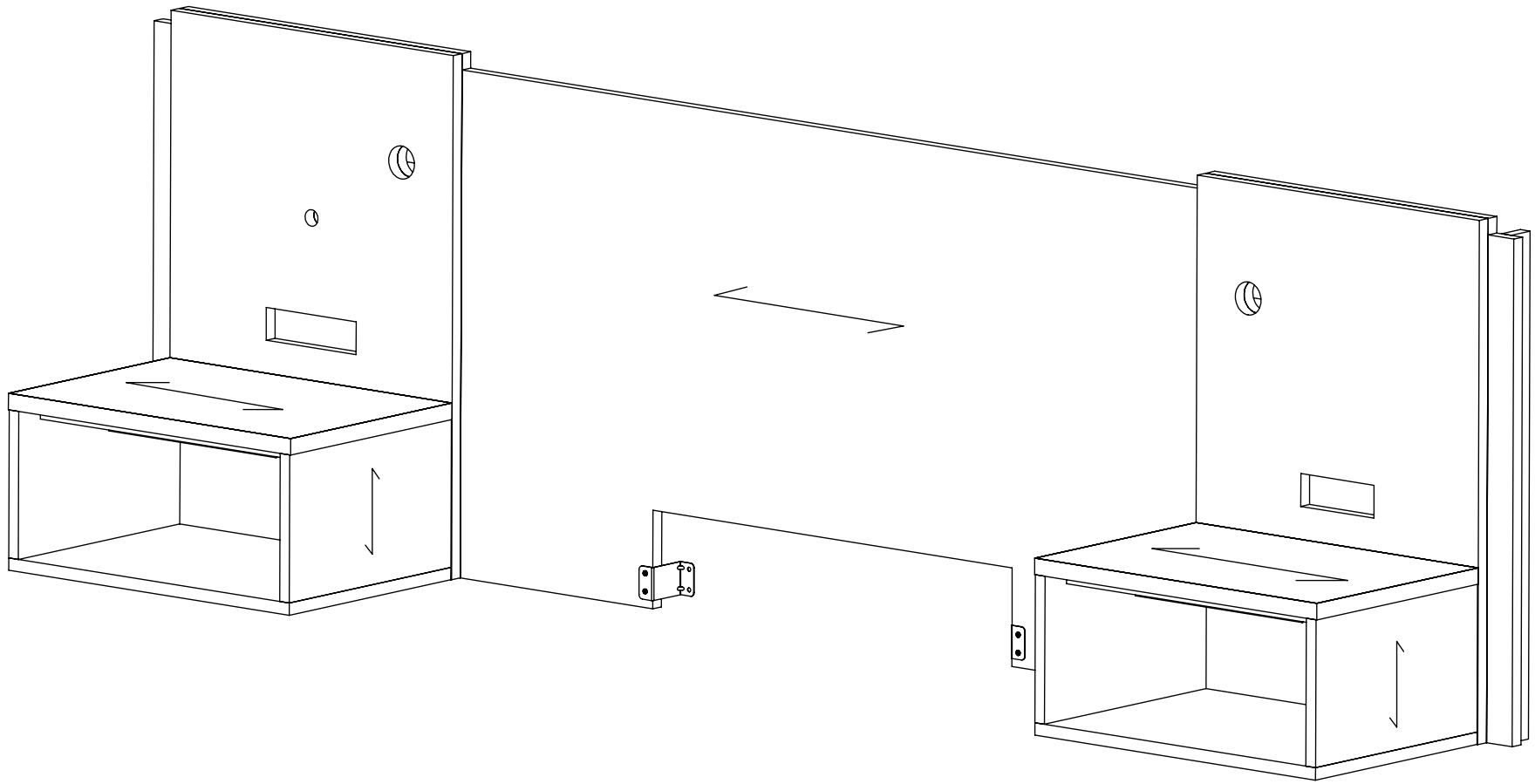
2

A

A

B

B



Overall:
 106"W x 18 3/8"D x 31 7/8"H

MATERIALS:

- HP-Laminate PB-1" Top
- HP-Laminate PB-3/4" Body Panels
- .018 Edge Tape
- Hardwood Framing Support
- Power Plug W/Switch Left
- Power Plug N/Switch Right
- Frosted LED Aluminum Track

COMMENTS:

- Overall: 106"W x 18 3/8"D x 31 7/8"H
- Color: Asian Night - 7949 - Headboard
- Color - Matt Black - 1595-60 - Side Panel
- Note: Dimensional Tolerance +/- .1/16"

TITLE: AHB 8170XXYY 31H422 - 8170M6 - Full Headboard W-22NS
REVISION DATE:

NOTE: DESIGN AND DRAWINGS ARE PROPERTY OF DICKSON FURNITURE MANUFACTURERS LLC AND MAY NOT BE DUPLICATED OR REPRODUCED WITHOUT THE EXPRESS WRITTEN CONSENT OF DICKSON FURNITURE MANUFACTURERS LLC

REV
A
 DIMENSIONS
 ARE IN
 INCHES

DICKSON
 FURNITURE MANUFACTURERS

SCALE: 1:10
 SHEET 1 OF 6

1

2

BILL OF MATERIALS

NO.	DESCRIPTION	MATERIAL	EDGE	Qty
1	Top	HPL-PB 1"	EB	2
2	Front Center	HPL-PB 3/4"	-	1
3	Side Left	HPL-PB-3/4"	-	1
4	Side Right	HPL-PB-3/4"	-	1
5	Bottom	HPL-PB-3/4"	-	2
6	Front Side Left	HPL-PB-3/4"	-	1
7	Front Side Right	HPL-PB-3/4"	-	1
8	Side	HPL-PB-3/4"	-	4
9	Near Back center	HPL-PB-3/4"	-	2
10	Near Side Right	HPL-PB-3/4"	-	1
11	Near Side Left	HPL-PB-3/4"	-	1
12	Near Left	HPL-PB-3/4"	-	2
13	Near Right	HPL-PB-3/4"	-	2
14	Near Center	HPL-PB 3/4"	-	2
15	Blocking Side Right	HPL-PB-3/4"	-	1
16	Blocking Side Left	HPL-PB-3/4"	-	1
17	Blocking	HPL-PB-3/4"	-	4
18	Blocking Small	HPL-PB-3/4"	-	4
19	Blocking Small Center	HPL-PB-3/4"	-	2
20	Stretcher	HPL-PB-3/4"	-	2
21	Center Wall Support	HPL-PB-3/4"	-	2
22	Sides Wall Support	HPL-PB-3/4"	-	4

COLOR/FINISH SPEC

EDGE SPEC

Asian Night - 7949 - Headboard

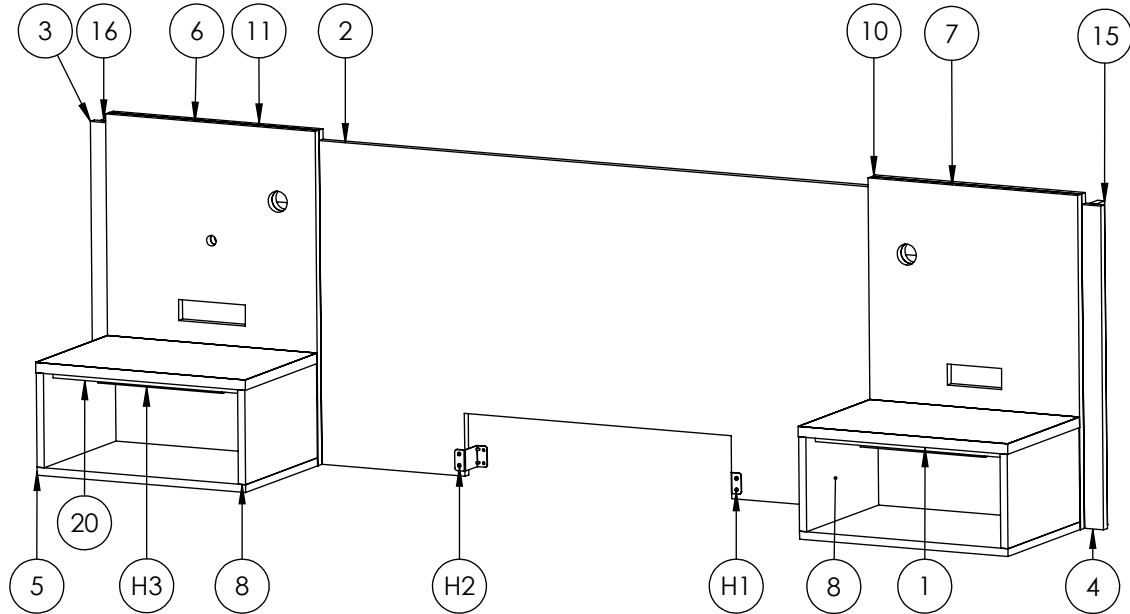
.018 Edge Tape

Matt Black - 1595-60 - Side Panel

-

HARDWARE LIST

#	PART DESCRIPTION	APPLICATION	AMT.	QTY.
H1	Bracket	AISI 1020 Steel, Cold Rolled	-	2
H2	Screw	AISI 1020 Steel, Cold Rolled	-	4
H3	Frosted LED Aluminum Track	LED	-	5



FRONT ISOMETRIC VIEW

MATERIALS:

- HP-Laminate PB-1" Top
- HP-Laminate PB-3/4" Body Panels
- .018 Edge Tape
- Hardwood Framing Support
- Power Plug W/Switch Left
- Power Plug N/Switch Right
- Frosted LED Aluminum Track

COMMENTS:

- Overall: 106"W x 18 3/8"D x 31 7/8"H
- Color: Asian Night - 7949 - Headboard
- Color - Matt Black - 1595-60 - Side Panel
- Note: Dimensional Tolerance +/- .1/16"

TITLE: AHB 8170XXYY 31H422 - 8170M6 - Full Headboard W-22NS

REVISION DATE:

NOTE: DESIGN AND DRAWINGS ARE PROPERTY OF DICKSON FURNITURE MANUFACTURERS LLC AND MAY NOT BE DUPLICATED OR REPRODUCED WITHOUT THE EXPRESS WRITTEN CONSENT OF DICKSON FURNITURE MANUFACTURERS LLC

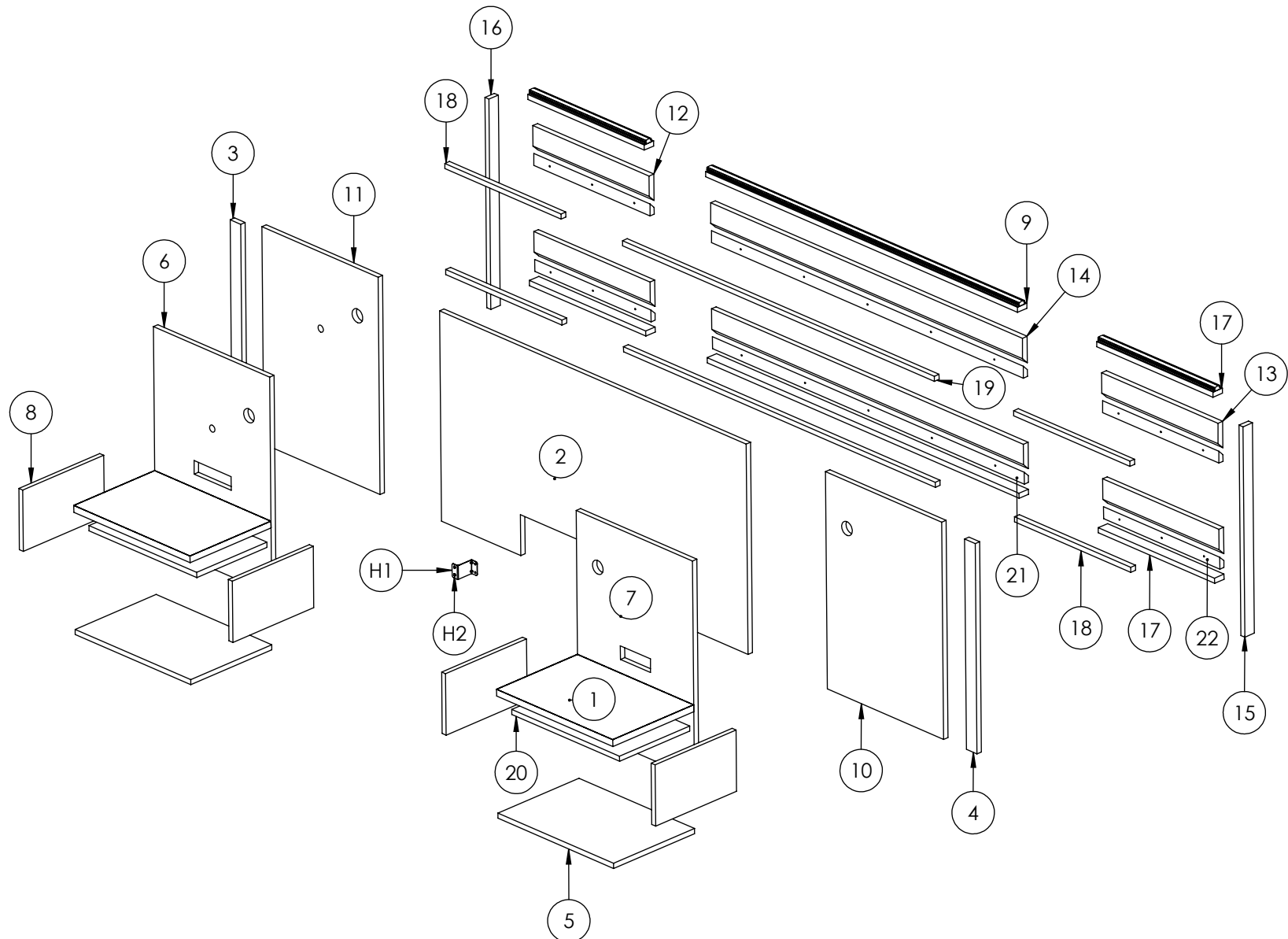
REV
A
DIMENSIONS
ARE IN
INCHES

DICKSON
FURNITURE MANUFACTURERS

SCALE: 1:18
SHEET 2 OF 6

1

2



EXPLODED VIEW

- MATERIALS:**
- HP-Laminate PB-1" Top
 - HP-Laminate PB-3/4" Body Panels
 - .018 Edge Tape
 - Hardwood Framing Support
 - Power Plug W/Switch Left
 - Power Plug N/Switch Right
 - Frosted LED Aluminum Track

- COMMENTS:**
- Overall: 106"W x 18 3/8"D x 31 7/8"H
 - Color: Asian Night - 7949 - Headboard
 - Color - Matt Black - 1595-60 - Side Panel
 - Note: Dimensional Tolerance +/- .1/16"

TITLE: AHB 8170XXYY 31H422 - 8170M6 - Full Headboard W-22NS
REVISION DATE:
 NOTE: DESIGN AND DRAWINGS ARE PROPERTY OF DICKSON FURNITURE MANUFACTURERS LLC AND MAY NOT BE DUPLICATED OR REPRODUCED WITHOUT THE EXPRESS WRITTEN CONSENT OF DICKSON FURNITURE MANUFACTURERS LLC

DICKSON
 FURNITURE MANUFACTURERS

REV **A**
 DIMENSIONS ARE IN INCHES
 SCALE: 1:20
 SHEET 4 OF 6

1

2



IMPORTANT INFORMATION

- AHB 8170XXYY 31H422 - 8170M6 - Full Headboard W-22NS -



Lift parts with at least 2 people

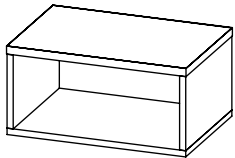
*RECOMMENDATIONS:

- Read instructions before installing
- Keep children out of the area
- Keep area clean
- Do not drag the parts
- Do not forget to wear PPE

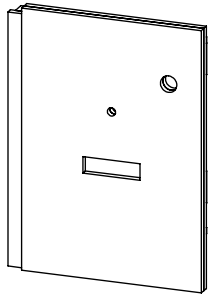
*PERSONAL PROTECTION EQUIPMENT (PPE)

- Hand Protection
- Eye Protection
- Waist Support belt

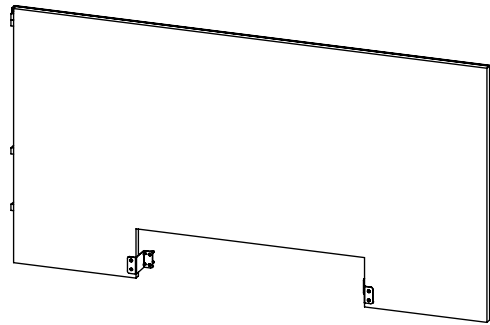
PARTS TO INSTALL:



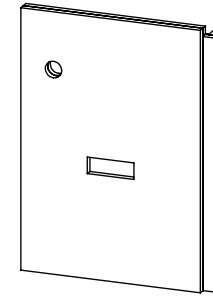
Nightstand



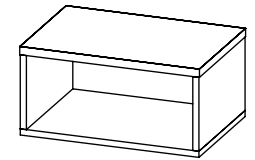
Left Nightstand Headboard



Center Headboard



Right Nightstand Headboard



Nightstand

*Tools:



Water level



Measuring Tape



Pencil



Rubber Hammer



Drill

*Hardware:



ScREW



Wall Anchor

DICKSON

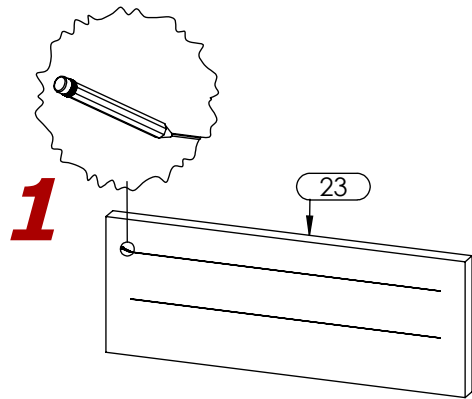
FURNITURE MANUFACTURERS

INSTALLATION INSTRUCTIONS

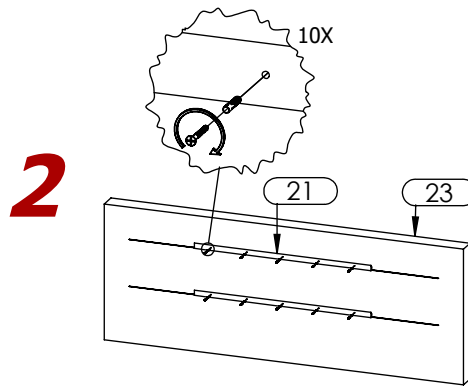
- AHB 8170XXYY 31H422 - 8170M6 - Full Headboard W-22NS -

STEP #1

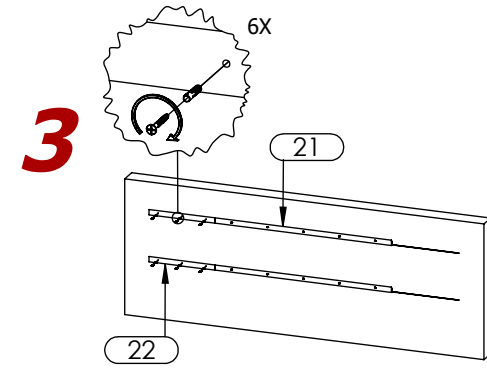
Note: To lift Center Headboard (2), Left Nightstand (6) and Right Nightstand (7) use at least 2 people.



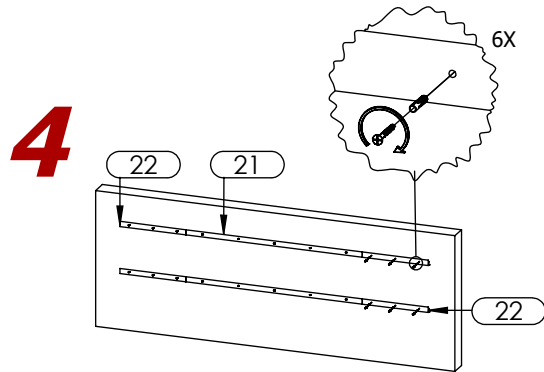
With a measuring tape, draw in the Wall (23) lines or marks all along the Full Headboard width at the heights of 00". Measure taken from the top of Bed Platform.



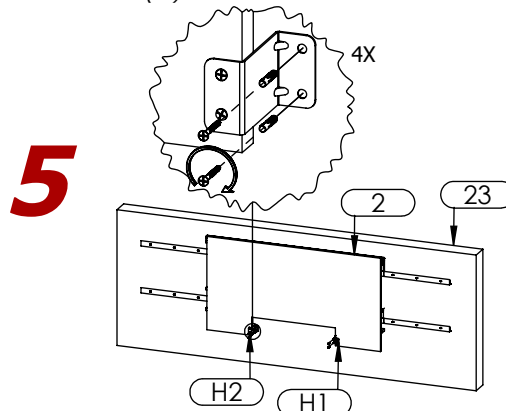
Using a level, align at the center of the Bed Platform, and attach Center Wall Support (21) based on the marks on Wall (23). Use Screw and Wall Anchor



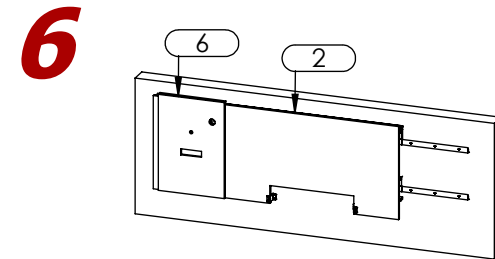
Align and attach Sides Wall Support (22) on the left side of Center Headboard (2). Use Screw and Wall Anchor



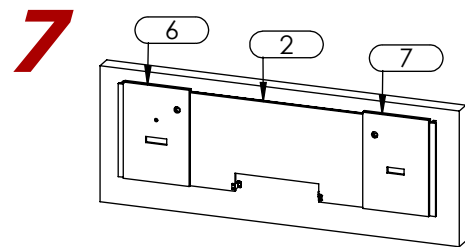
Align and attach Sides Wall Support (22) on the right side of Center Headboard (2). Use Screw and Wall Anchor



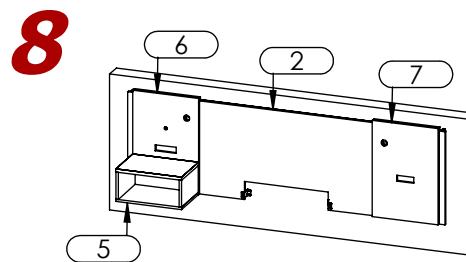
Lift Center Headboard (2) and place it on Center Wall Support (21) and attach to Wall (24) with Brackets (H1) and Screws (H2)



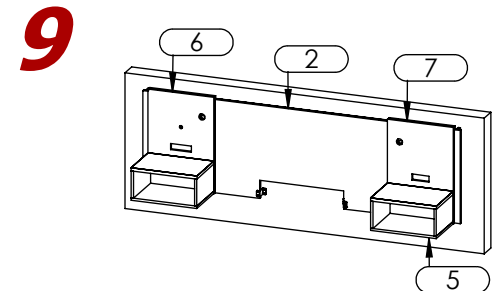
Lift Left Nightstand Headboard (6) and place it on Sides Wall Support (22) on the left side of Center Headboard (2)



Lift Right nightstand Headboard (7) and place it on Sides Wall Support (22) on the right side of Center Headboard (2)



Place and attach Left Nighthstand (1)



Place and attach Right Nighthstand (1)

DICKSON
FURNITURE MANUFACTURERS