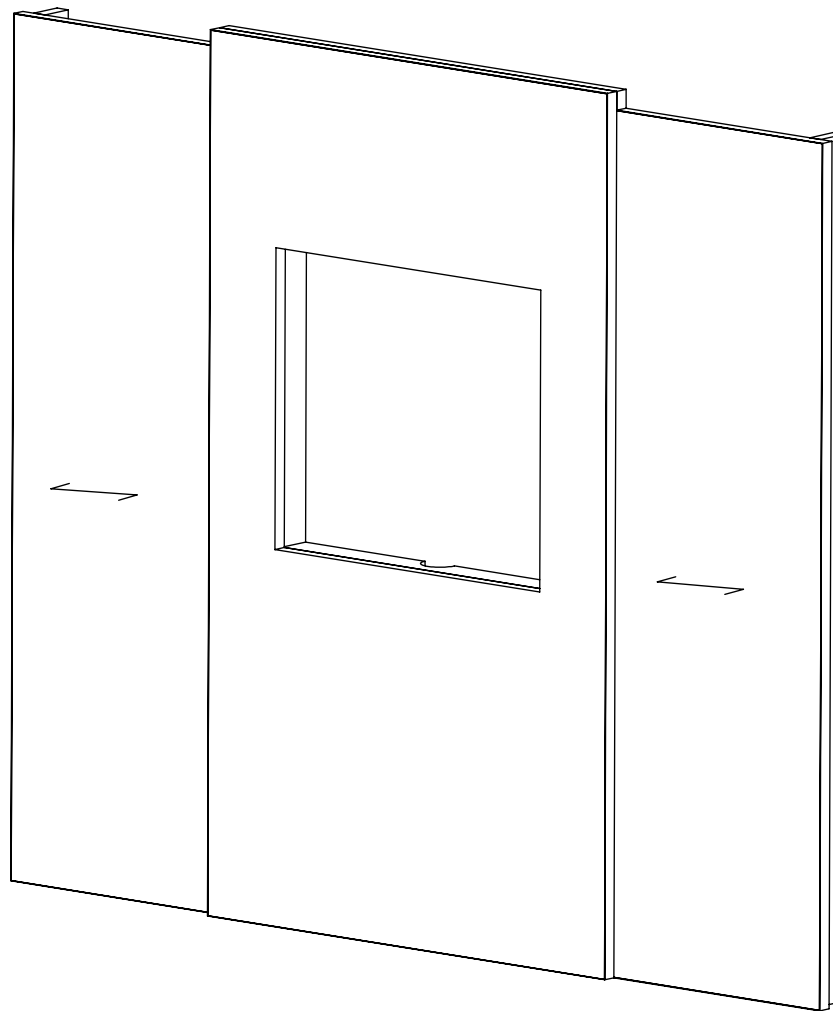


1

2



A

A

B

B

Overall:
55"W x 3 3/8"D x 47"H

MATERIALS:

- HP Laminated PB-3/4" Panels
- 0.018 Edge Tape
- Wood Molding Supports
-
-
-
-

COMMENTS:

- Overall: 55"W x 3 3/8"D x 47"H
- Color: Asian Night - 7949 - Center Panel
- Color - Matt Black - 1595-60 - Side Panels
- Note: Dimensional Tolerance +/- 1/16"

TITLE: AHB 8170XXYY TVP55 - 8170M6 - 55" TV Panel

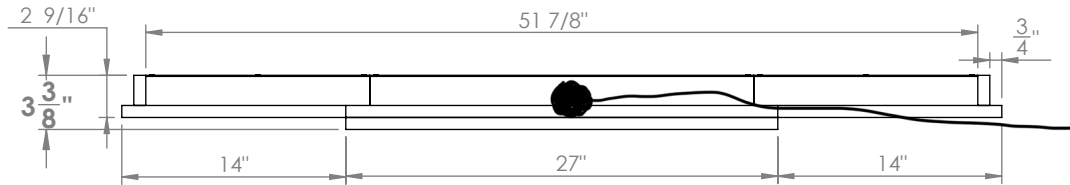
REVISION DATE:

NOTE: DESIGN AND DRAWINGS ARE PROPERTY OF DICKSON FURNITURE MANUFACTURERS LLC AND MAY NOT BE DUPLICATED OR REPRODUCED WITHOUT THE EXPRESS WRITTEN CONSENT OF DICKSON FURNITURE MANUFACTURERS LLC

REV A DIMENSIONS ARE IN INCHES	DICKSON FURNITURE MANUFACTURERS
	SCALE: 1:10 SHEET 1 OF 4

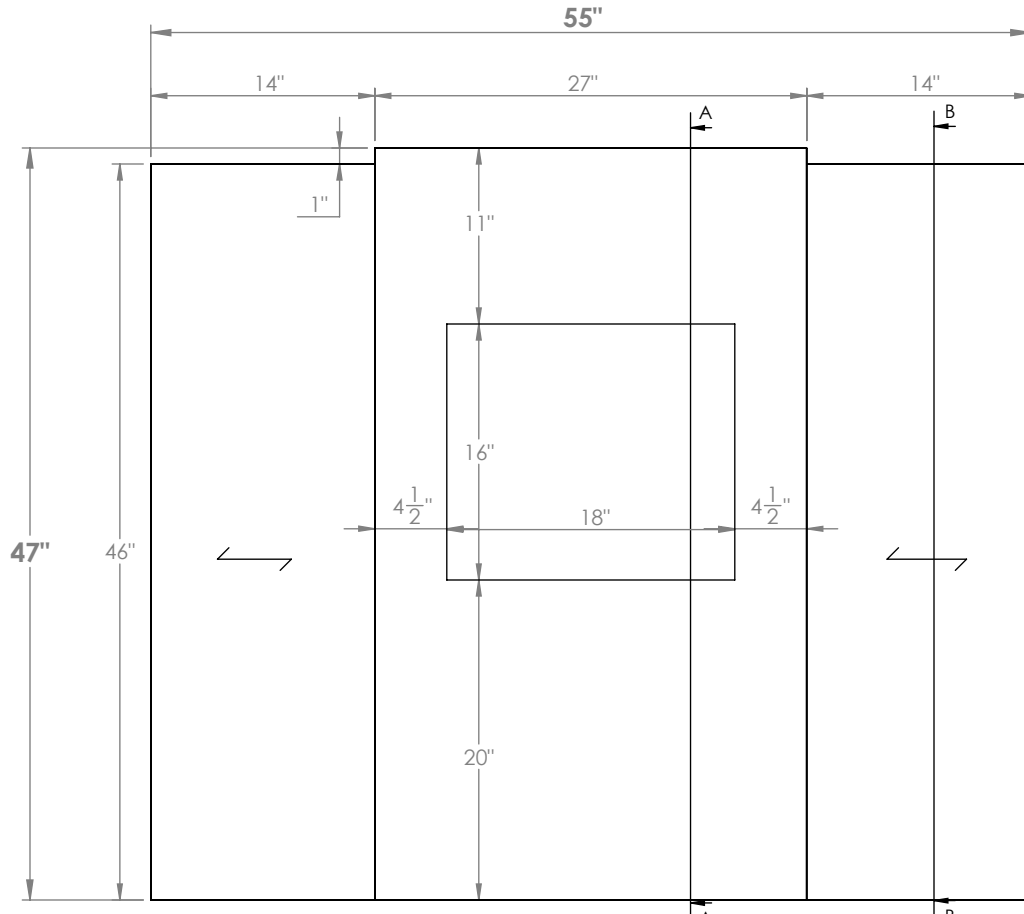
1

2

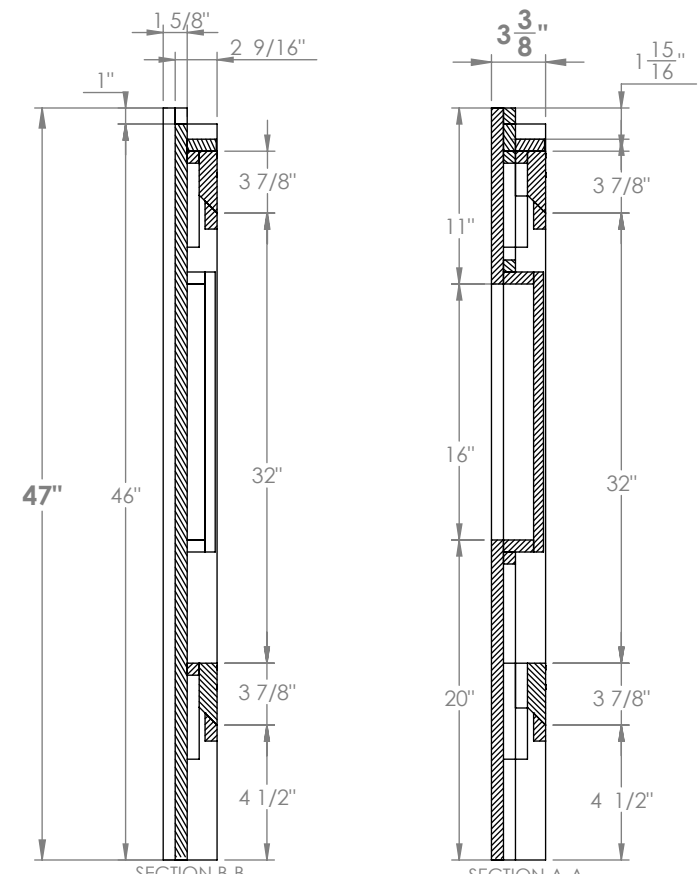


TOP VIEW

ADD hole here. this hole is USED to put Rod thru to secure TV to mount (Lock)



FRONT ELEVATION



SIDE VIEW

- MATERIALS:**
- HP-Laminate PB-3/4" Panels
 - 0.018 Edge Tape
 - Wood Molding Supports
 -
 -
 -

- COMMENTS:**
- Overall: 55"W x 3 3/8"D x 47"H
 - Color: Asian Night - 7949 - Center Panel
 - Color - Matt Black - 1595-60 - Side Panels
 - Note: Dimensional Tolerance +/- 1/16"

TITLE: AHB 8170XXYY TVP55 - 8170M6 - 55" TV Panel
REVISION DATE:
 NOTE: DESIGN AND DRAWINGS ARE PROPERTY OF DICKSON FURNITURE MANUFACTURERS LLC AND MAY NOT BE DUPLICATED OR REPRODUCED WITHOUT THE EXPRESS WRITTEN CONSENT OF DICKSON FURNITURE MANUFACTURERS LLC

REV
A
 DIMENSIONS ARE IN INCHES

DICKSON
 FURNITURE MANUFACTURERS

SCALE: 1:12
 SHEET 2 OF 4



IMPORTANT INFORMATION

- AHB 8170XXYY TVP55 - 8170M6 - 55" TV Panel -



Lift parts with at least 2 people

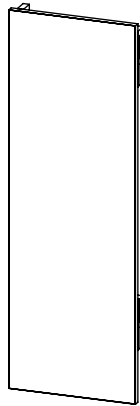
*RECOMMENDATIONS:

- Read instructions before installing
- Keep area clean
- Do not drag the parts
- Do not forget to wear PPE

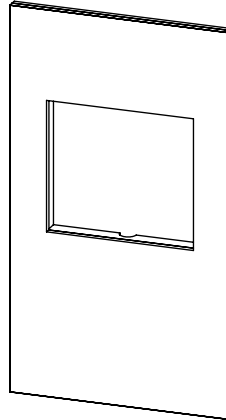
*PERSONAL PROTECTION EQUIPMENT (PPE)

- Hand Protection
- Eye Protection
- Waist Support belt

PARTS TO INSTALL:



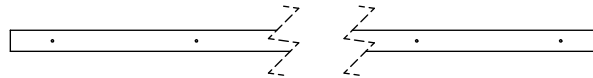
Left Panel



Center Panel



Right Panel



French Wall Cleats



*Tools:



Water level



Measuring Tape



Pencil



Drill

*Hardware:



Screw

DICKSON

FURNITURE MANUFACTURERS

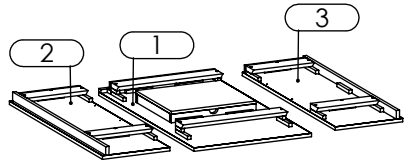
INSTALLATION INSTRUCTIONS

- AHB 8170XXYY TVP55 - 8170M6 - 55" TV Panel -

STEP #1

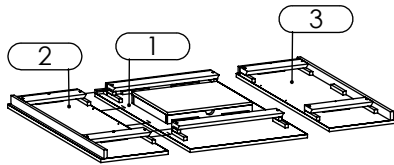
Note: To lift TV Panel use at least 2 people.

1



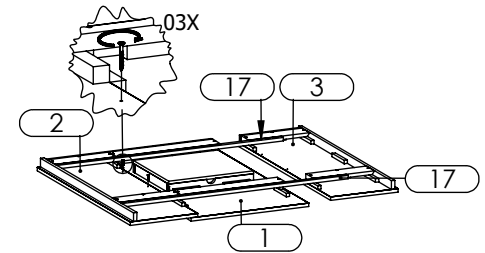
Place Center Panel (1), Right Panel (2) and Left Panel (3) upside down on the floor on a soft surface.

2



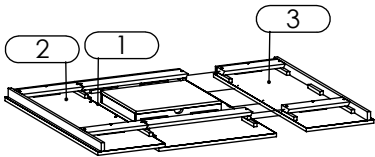
Align Right Panel (2) towards the Center Panel (1).

3



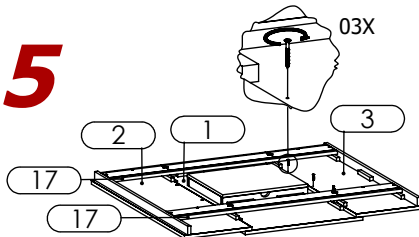
Use French Wall Cleats (17) to align well Right Panel (2) to Center Panel (1) and attach using 1-1/4" long Screws.

4



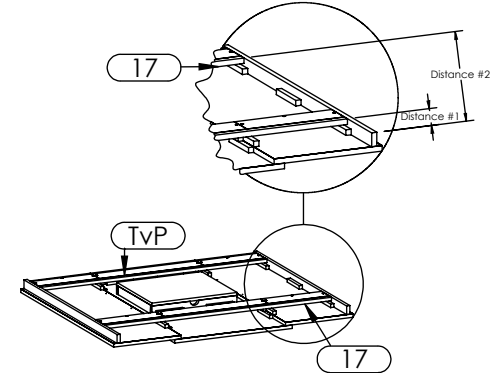
Align Left Panel (3) towards the Center Panel (1).

5



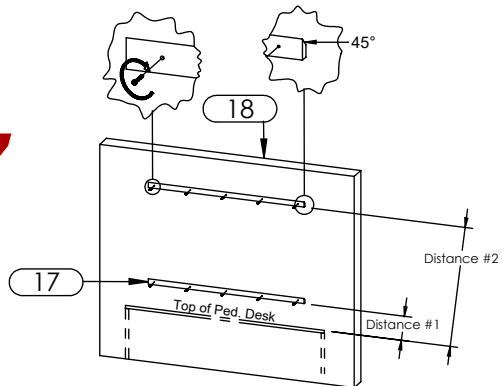
Use French Wall Cleats (17) to align well Left Panel (3) to Center Panel (1) and attach using 1-1/4" long Screws.

6



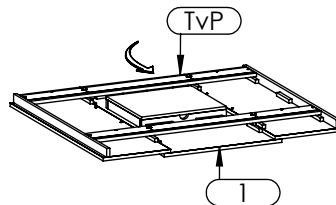
Place French Wall Cleats (17) on the back of TV Panel (TvP) and take the distances as shown in detail.

7



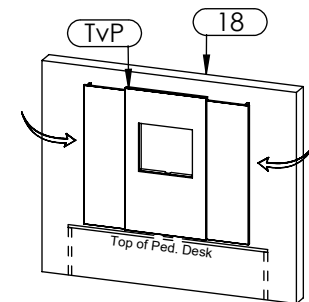
With a measuring tape and a pencil, mark on Wall (18) the distance #1 and distance #2 from the top of the Pedestal Desk and attach French Wall Cleats (17) at the center of Pedestal Desk using 2" long Screws.

8



To lift TV Panel (TvP) from floor, it's important to do it from top of the Center Panel (1).

9



To mount TV Panel (TvP) lift it from Side Panels and place it at the center of the French Wall Cleats (17) attached on Wall (18).

DICKSON

FURNITURE MANUFACTURERS