

**Overall:**  
74"W x 19"D x 30"H

**MATERIALS:**

- HP-Laminate PB-1" Top
- HP-Laminate PB-3/4" Body Parts
- 2mm Edge Tape On Top
- 0.018 Edge Tape Body Panel
- Bottom Nail Glide
- 2" Plastic Grommet

**COMMENTS:**

- Overall: 74"W x 19"D x 30"H
- Color: Asian Night - 7949 - Outside
- Color - Matt Black - 1595-60 - Inside Shelf
- Note: Dimensional Tolerance +/- 1/16"

**TITLE:** AHB 8170XXYY DK74PN - 8170M6 - 74" Pedestal Desk N-Drw

**REVISION DATE:**

NOTE: DESIGN AND DRAWINGS ARE PROPERTY OF DICKSON FURNITURE MANUFACTURERS LLC AND MAY NOT BE DUPLICATED OR REPRODUCED WITHOUT THE EXPRESS WRITTEN CONSENT OF DICKSON FURNITURE MANUFACTURERS LLC

QUANTITY  
**00**

REV  
**A**

DIMENSIONS  
ARE IN  
INCHES

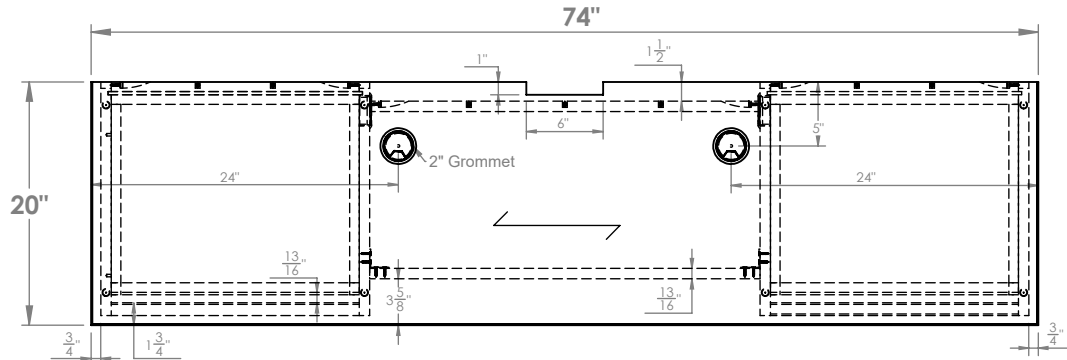
**DICKSON**  
FURNITURE MANUFACTURERS

SCALE: 1:10

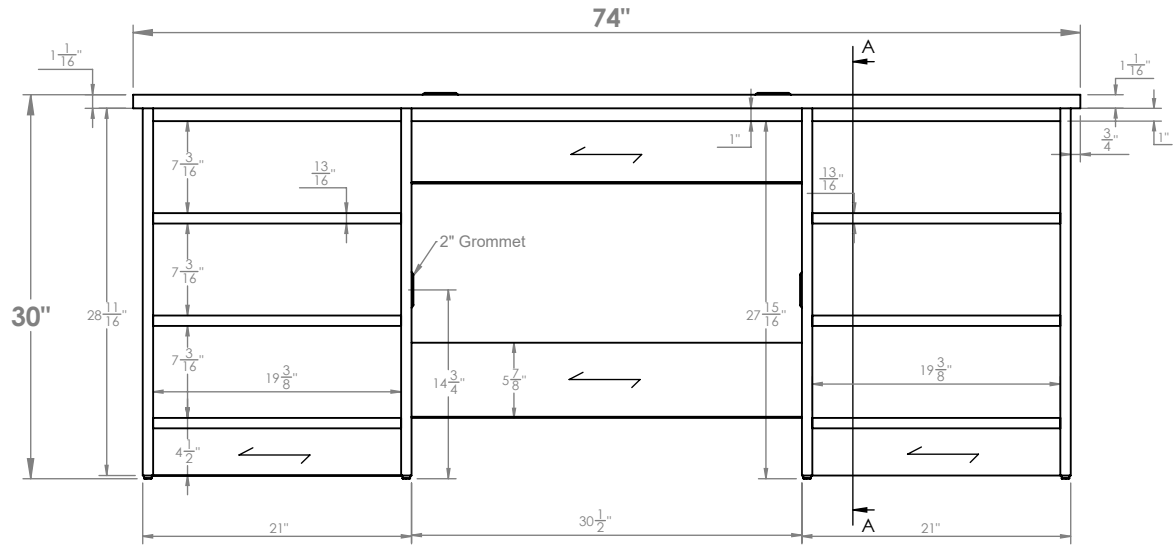
SHEET 1 OF 4

1

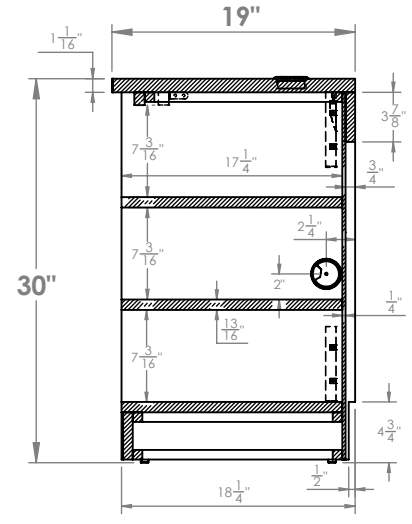
2



TOP VIEW



FRONT ELEVATION



SIDE VIEW  
SECTION A-A

**MATERIALS:**

- HP-Laminate PB-1" Top
- HP-Laminate PB-3/4" Body Parts
- 2mm Edge Tape On Top
- 0.018 Edge Tape Body Panel
- Bottom Nail Glide
- 2" Plastic Grommet

**COMMENTS:**

- Overall: 74"W x 19"D x 30"H
- Color: Asian Night - 7949 - Outside
- Color - Matt Black - 1595-60 - Inside Finish
- Note: Dimensional Tolerance +/- 1/16"

**TITLE:** AHB 8170XXYY DK74PN - 8170M6 - 74" Pedestal Desk N-Drw  
**REVISION DATE:**

NOTE: DESIGN AND DRAWINGS ARE PROPERTY OF DICKSON FURNITURE MANUFACTURERS LLC AND MAY NOT BE DUPLICATED OR REPRODUCED WITHOUT THE EXPRESS WRITTEN CONSENT OF DICKSON FURNITURE MANUFACTURERS LLC

QUANTITY  
**00**  
REV  
**A**  
DIMENSIONS  
ARE IN  
INCHES

**DICKSON**  
FURNITURE MANUFACTURERS

SCALE: 1:15  
SHEET 2 OF 4

1

2



# IMPORTANT INFORMATION

- AHB 8170XXYY DK74PN - 8170M6 - 74" Pedestal Desk N-Drw -



Lift parts with at least 2 people

## \*RECOMMENDATIONS:

- Read instructions before assembling
- Keep area clean
- Do not drag the parts
- Do not forget to wear PPE

## \*PERSONAL PROTECTION EQUIPMENT (PPE)

- Hand Protection
- Eye Protection
- Waist Support belt

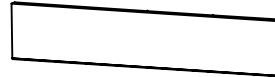
### PARTS :



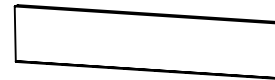
Top Desk



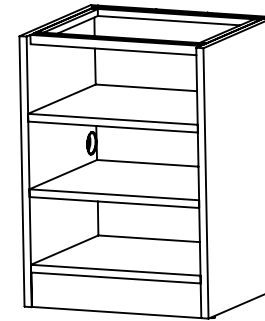
Left Pedestal



Upper Nailer



Lower Nailer



Right Pedestal

### \*Tools:



Water level



Measuring Tape



Pencil



Drill

### \*Hardware:



Screw

# DICKSON

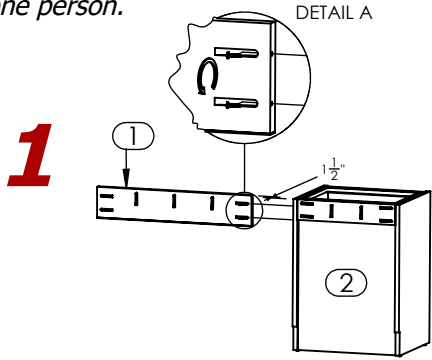
FURNITURE MANUFACTURERS

# STEP #1

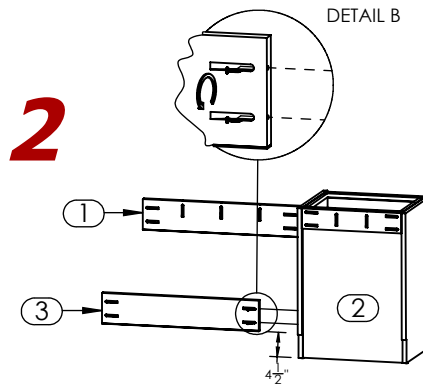
# ASSEMBLY INSTRUCTIONS

- AHB 8170XXYY DK74PN - 8170M6 - 74" Pedestal Desk N-Drw -

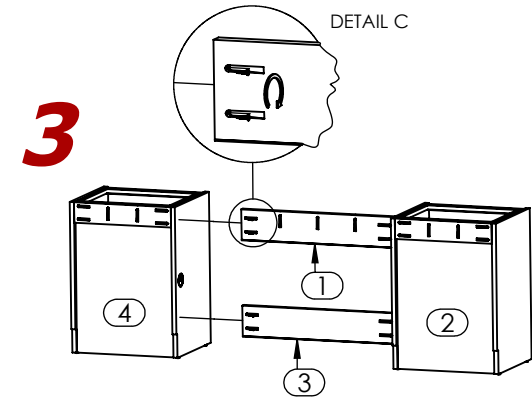
Note: Assembly can be done with one person.



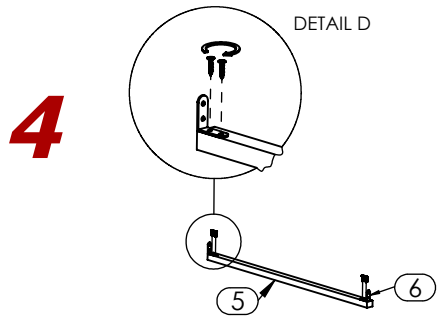
Attach Upper Nailer (1) to Left Pedestal (2), to a distance of 1 1/2" from the back and flush to top. (Reference Detail A).



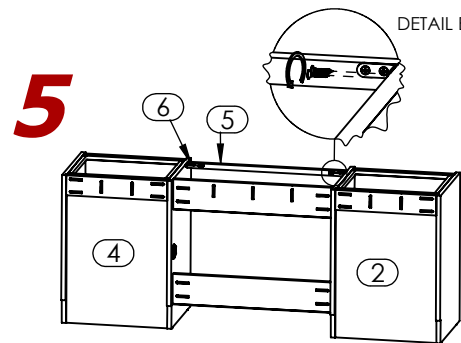
Attach Lower Nailer (3) to Left Pedestal (2), to a distance of 1 1/2" from the back and 4 1/2" from the bottom. (Reference Detail B).



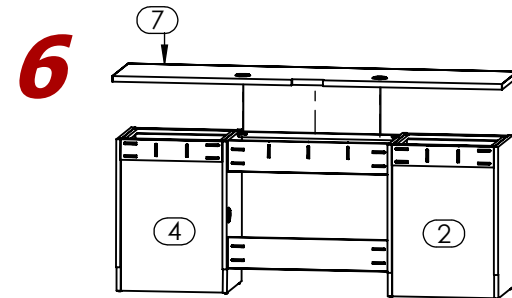
Attach Upper (1) and Lower Nailer (3) to Right Pedestal (4). Pedestals (2)(4) must each other be aligned. (Reference Detail C).



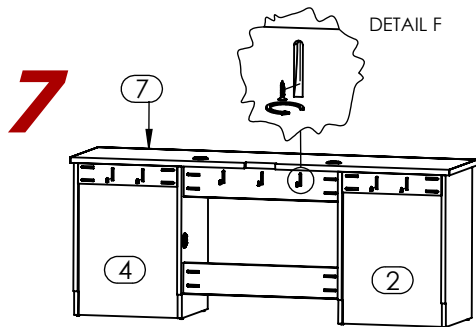
Attach Brackets (6) to Top Desk Blocking (5). (Reference Detail D)



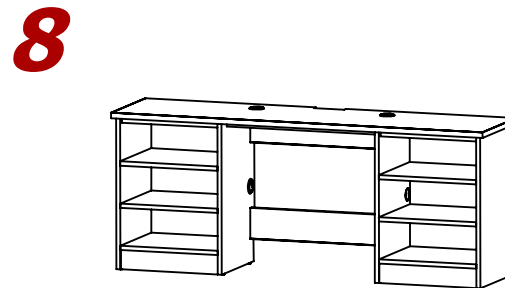
Align and Attach Brackets (6) to Pedestals, to a distance of 2 7/8" from front. (Reference Detail E).



Place Top Desk (7) on top of Pedestals (4) (2), align the back of Top Desk (7) flush to the back of Pedestals (4) (2) and a distance of 3/4" from side ends.



Attach Top Desk (7) to Pedestals (4)(2) back. (Reference Detail F).



Pedestal completely assembled

**DICKSON**  
FURNITURE MANUFACTURERS