

**Overall:**  
74"W x 19"D x 30"H

**MATERIALS:**

- HP-Laminate PB-1" Top
- HP-Laminate PB-3/4" Body Parts
- 2mm Edge Tape On Top
- 0.018 Edge Tape Body Panel
- Bottom Nail Glide
- 2" Plastic Grommet

**COMMENTS:**

- Overall: 74"W x 19"D x 30"H
- Color: Asian Night - 7949 - Outside
- Color - Matt Black - 1595-60 - Inside Shelf
- Note: Dimensional Tolerance +/- 1/16"

**TITLE:** AHB 8170XXYY DK74PL - 8170M6 - 74" Pedestal Desk Left

**REVISION DATE:**

NOTE: DESIGN AND DRAWINGS ARE PROPERTY OF DICKSON FURNITURE MANUFACTURERS LLC AND MAY NOT BE DUPLICATED OR REPRODUCED WITHOUT THE EXPRESS WRITTEN CONSENT OF DICKSON FURNITURE MANUFACTURERS LLC

QUANTITY  
**00**

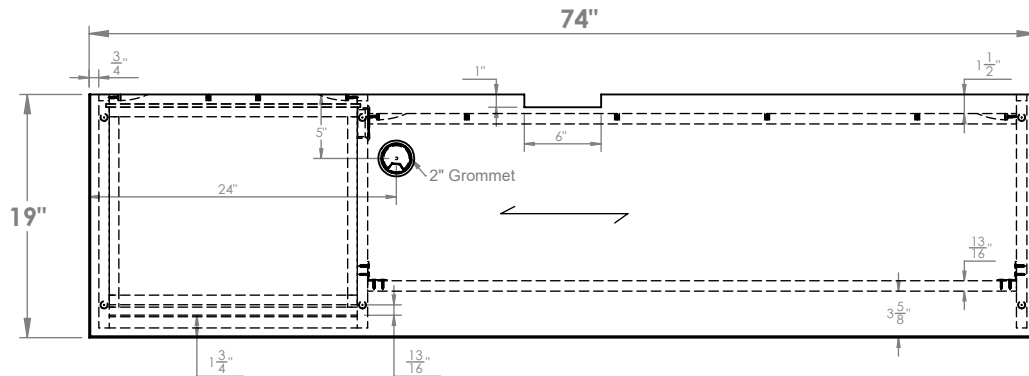
REV  
**A**

DIMENSIONS  
ARE IN  
INCHES

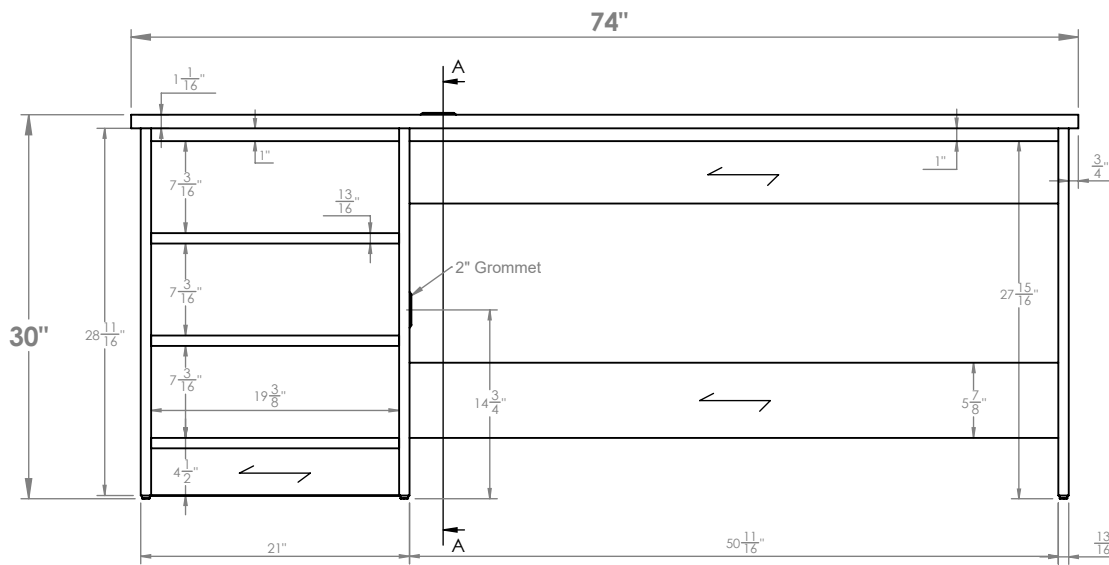
**DICKSON**  
FURNITURE MANUFACTURERS

SCALE: 1:10

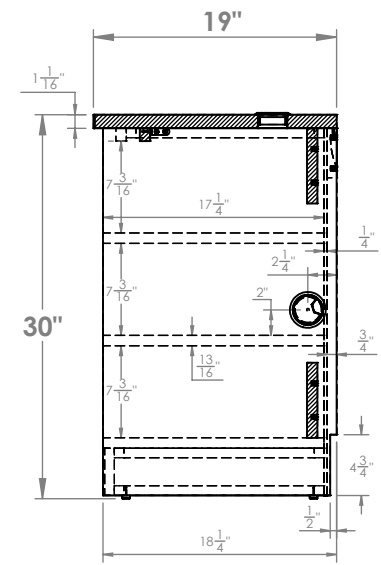
SHEET 1 OF 4



**TOP VIEW**



**FRONT ELEVATION**



**SIDE VIEW**  
SECTION A-A

**MATERIALS:**

- HP-Laminate PB-1" Top
- HP-Laminate PB-3/4" Body Parts
- 2mm Edge Tape On Top
- 0.018 Edge Tape Body Panel
- Bottom Nail Glide
- 2" Plastic Grommet

**COMMENTS:**

- Overall: 74"W x 19"D x 30"H
- Color: Asian Night - 7949 - Outside
- Color - Matt Black - 1595-60 - Inside Shelf
- Note: Dimensional Tolerance +/- 1/16"

**TITLE:** AHB 8170XXYY DK74PL - 8170M6 - 74" Pedestal Desk Left

**REVISION DATE:**

NOTE: DESIGN AND DRAWINGS ARE PROPERTY OF DICKSON FURNITURE MANUFACTURERS LLC AND MAY NOT BE DUPLICATED OR REPRODUCED WITHOUT THE EXPRESS WRITTEN CONSENT OF DICKSON FURNITURE MANUFACTURERS LLC

QUANTITY

00

REV

A

DIMENSIONS ARE IN INCHES

**DICKSON**  
FURNITURE MANUFACTURERS

SCALE: 1:15

SHEET 2 OF 4



# IMPORTANT INFORMATION

- AHB 8170XXYY DK74PL - 8170M6 - 74" Pedestal Desk Left -



Lift parts with at least 2 people

## \*RECOMMENDATIONS:

- Read instructions before assembly
- Keep area clean
- Do not drag the parts
- Do not forget to wear PPE

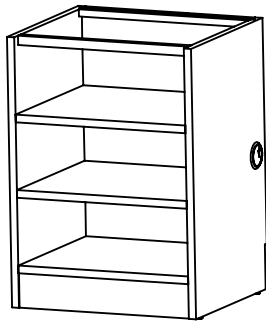
## \*PERSONAL PROTECTION EQUIPMENT (PPE)

- Hand Protection
- Eye Protection
- Waist Support belt

## PARTS:



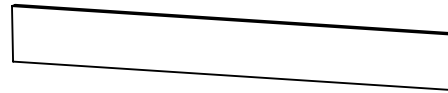
Top Desk



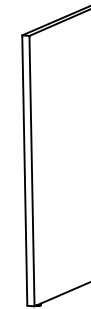
Left Pedestal



Upper Nailer



Lower Nailer



Right Side

## \*Tools:



Water level



Measuring Tape



Pencil



Drill

## \*Hardware:



Screw

# DICKSON

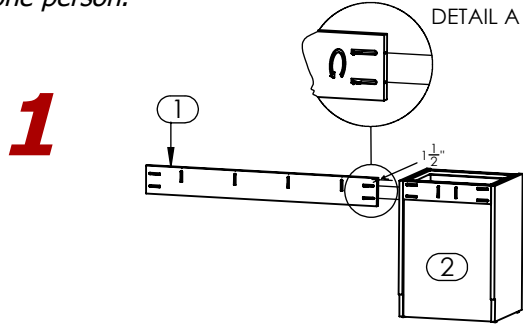
FURNITURE MANUFACTURERS

# STEP #1

# ASSEMBLY INSTRUCTIONS

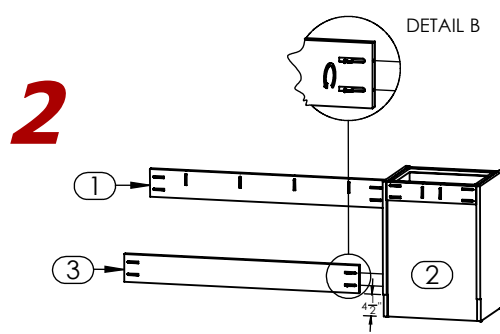
- AHB 8170XXYY DK74PL - 8170M6 - 74" Pedestal Desk Left -

Note: Assembly can be done with one person.



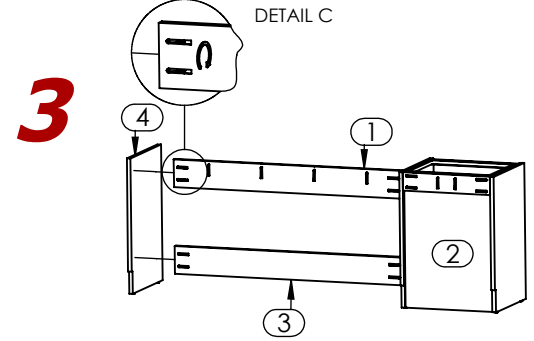
1

Attach Upper Nailer(1) to Left Pedestal (2), to a distance of 1 1/2" from the back and flush to top. (Reference Detail A).



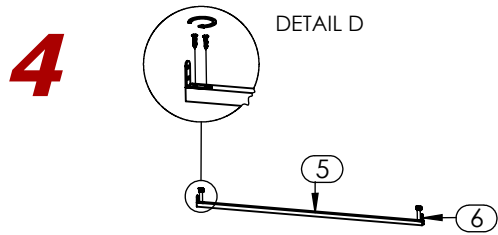
2

Attach Lower Nailer (3) to Left Pedestal (2), to a distance of 1 1/2" from the back and 4 1/2" from the bottom. (Reference Detail B).



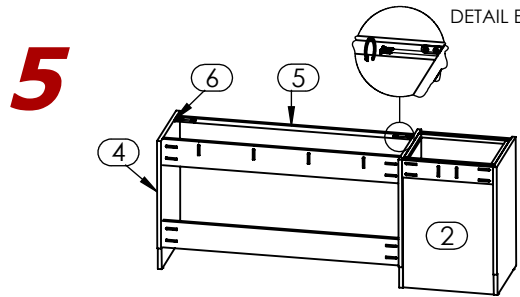
3

Attach Upper(1) and Lower Nailer (3) to Side Right (4). Pedestal (2) and Side Right (4) must each other be aligned. (Reference Detail C).



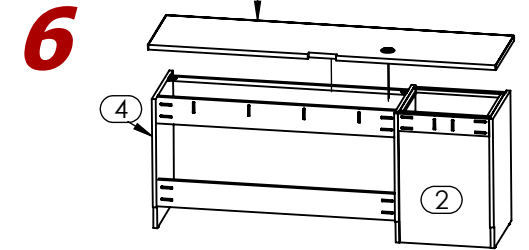
4

Attach Brackets (6) to Top Desk Blocking (5). (Reference Detail D).



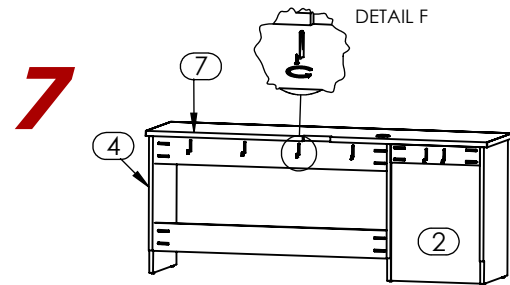
5

Align and Attach Brackets (6) to Pedestal and Side Right, to a distance of 2 7/8" from front. (Reference Detail E).



6

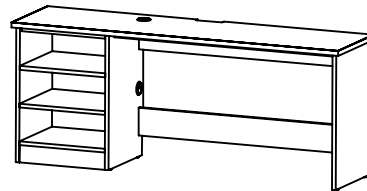
Place Top Desk (7) on Top of Pedestal (2) and Side Right (4), align the back of Top Desk (7) flush to the back of Pedestal (2) and Side Right (4) and a distance of 3/4" from side ends.



7

Attach Top Desk (7) to Pedestal (2) and Right Side (4) back. (Reference Detail F).

8



Pedestal completely assembled