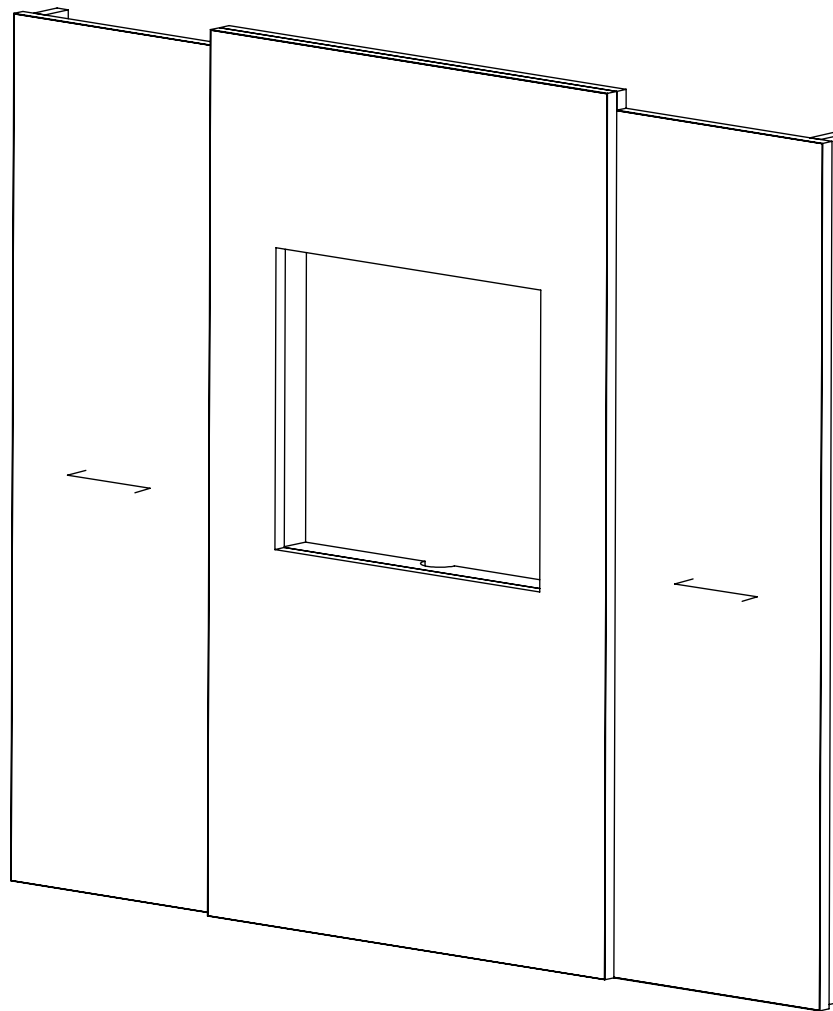


1

2



Overall:
55"W x 3 3/8"D x 47"H

MATERIALS:

- HP Laminated PB-3/4" Panels
- 0.018 Edge Tape
- Wood Molding Supports
-
-
-
-

COMMENTS:

- Overall: 55"W x 3 3/8"D x 47"H
- Color: Asian Night - 7949 - Center Panel
- Color - Matt Black - 1595-60 - Side Panels
- Note: Dimensional Tolerance +/- 1/16"

TITLE: AHB 8170XXYY TVP55 - 8170M6 - 55" TV Panel

REVISION DATE:

NOTE: DESIGN AND DRAWINGS ARE PROPERTY OF DICKSON FURNITURE MANUFACTURERS LLC AND MAY NOT BE DUPLICATED OR REPRODUCED WITHOUT THE EXPRESS WRITTEN CONSENT OF DICKSON FURNITURE MANUFACTURERS LLC

REV
A
DIMENSIONS
ARE IN
INCHES

DICKSON
FURNITURE MANUFACTURERS

SCALE: 1:10
SHEET 1 OF 4

1

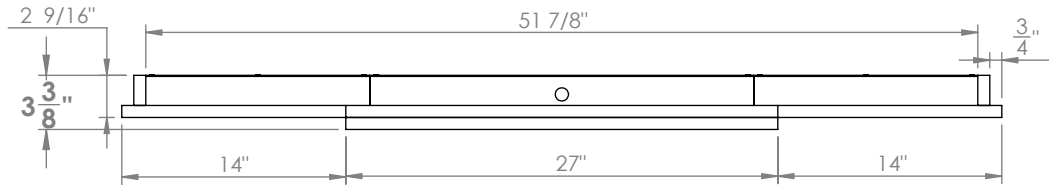
2

A

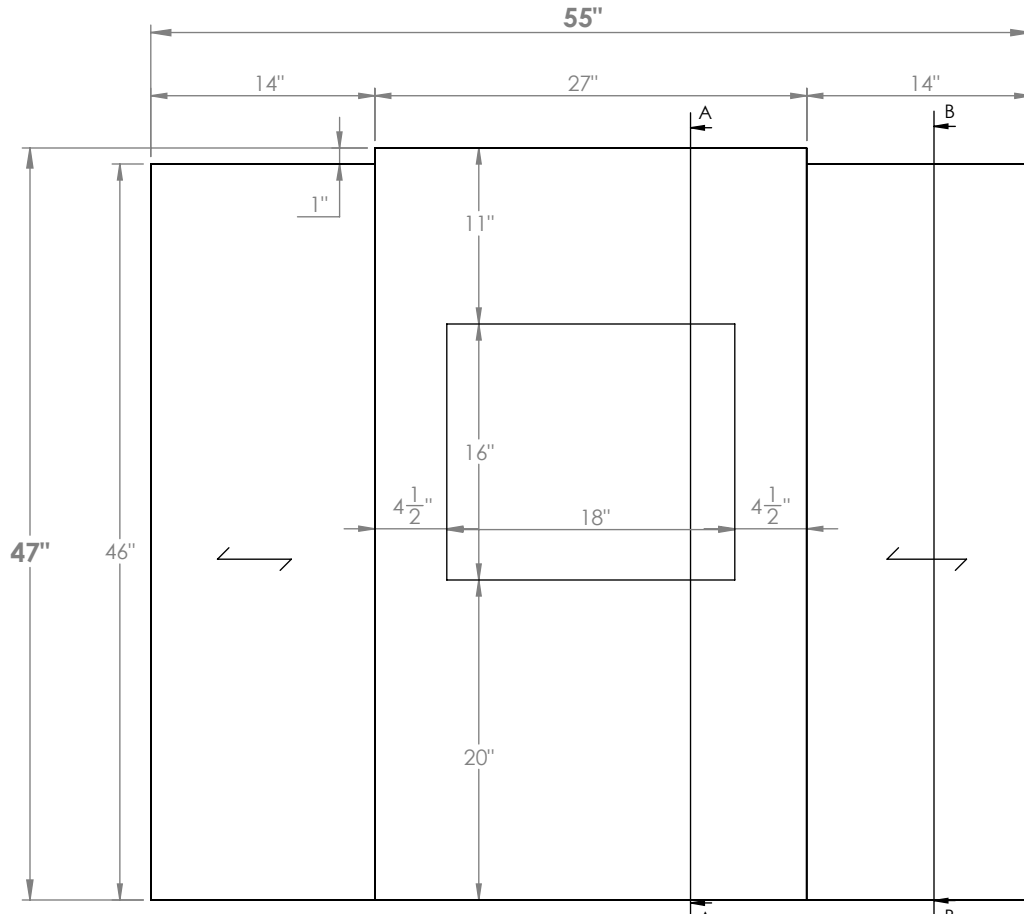
A

B

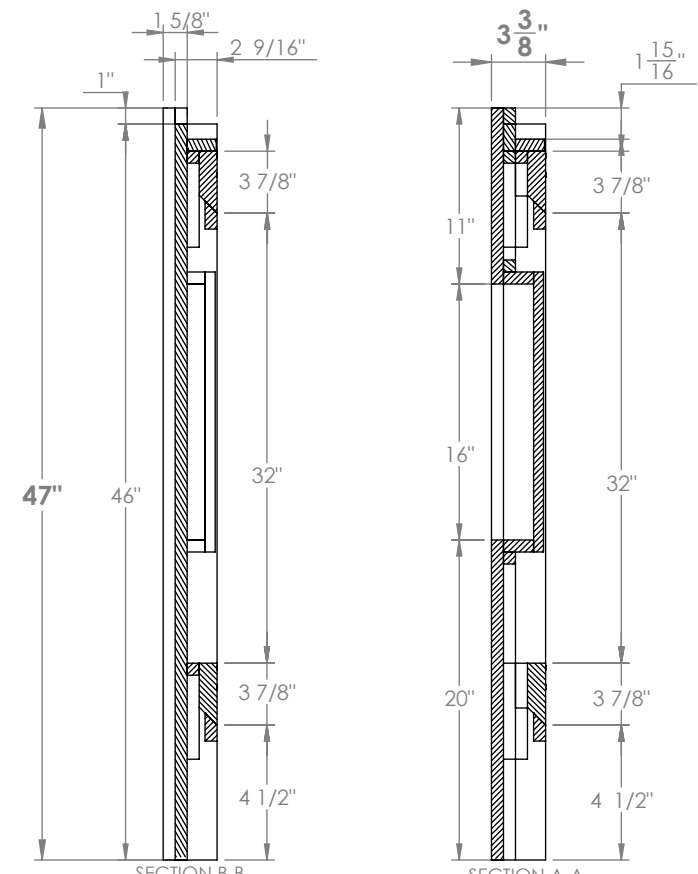
B



TOP VIEW



FRONT ELEVATION



SIDE VIEW

- MATERIALS:**
- HP-Laminate PB-3/4" Panels
 - 0.018 Edge Tape
 - Wood Molding Supports
 -
 -
 -

- COMMENTS:**
- Overall: 55"W x 3 3/8"D x 47"H
 - Color: Asian Night - 7949 - Center Panel
 - Color - Matt Black - 1595-60 - Side Panels
 - Note: Dimensional Tolerance +/- 1/16"

TITLE: AHB 8170XXYY TVP55 - 8170M6 - 55" TV Panel
REVISION DATE:
 NOTE: DESIGN AND DRAWINGS ARE PROPERTY OF DICKSON FURNITURE MANUFACTURERS LLC AND MAY NOT BE DUPLICATED OR REPRODUCED WITHOUT THE EXPRESS WRITTEN CONSENT OF DICKSON FURNITURE MANUFACTURERS LLC

REV
A
 DIMENSIONS ARE IN INCHES

DICKSON
 FURNITURE MANUFACTURERS

SCALE: 1:12
 SHEET 2 OF 4



IMPORTANT INFORMATION

- AHB 8170XXYY TVP55 - 8170M6 - 55" TV Panel -



Lift parts with at least 2 people

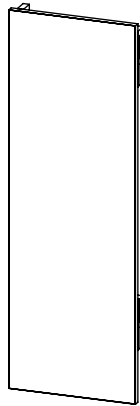
*RECOMMENDATIONS:

- Read instructions before installing and assembling
- Keep area clean
- Do not drag the parts
- Do not forget to wear PPE

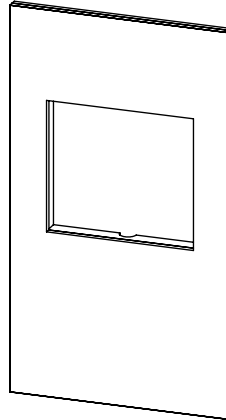
*PERSONAL PROTECTION EQUIPMENT (PPE)

- Hand Protection
- Eye Protection
- Waist Support belt

PARTS TO ASSEMBLY:



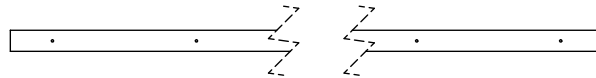
Left Panel



Center Panel



Right Panel



French Wall Cleats



*Tools:

*Hardware:



Water level



Measuring Tape



Pencil



Drill



Screw

DICKSON

FURNITURE MANUFACTURERS

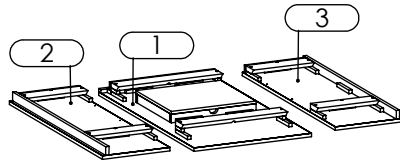
ASSEMBLY AND INSTALLATION INSTRUCTIONS

- AHB 8170XXYY TVP55 - 8170M6 - 55" TV Panel -

STEP #1

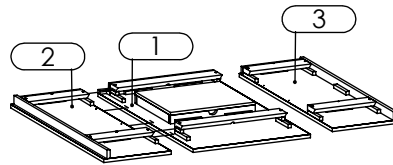
Note: To lift TV Panel use at least 2 people.

1



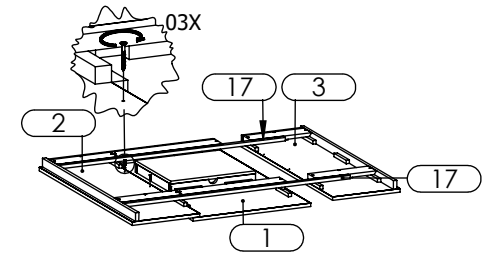
Place Center Panel (1), Right Panel (2) and Left Panel (3) upside down on the floor on a soft surface.

2



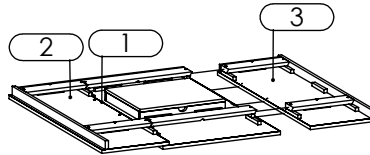
Align Right Panel (2) towards the Center Panel (1).

3



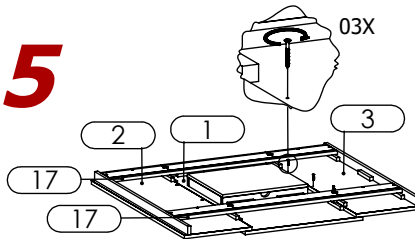
Use French Wall Cleats (17) to align well Right Panel (2) to Center Panel (1) and attach using 1-1/4" long Screws.

4



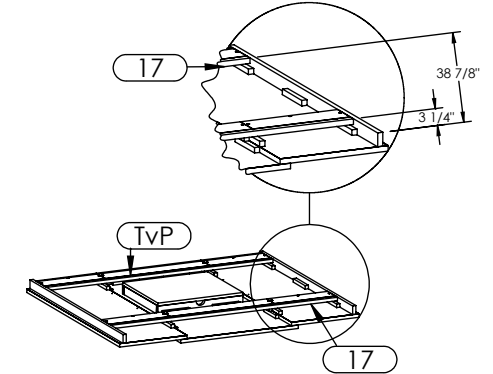
Align Left Panel (3) towards the Center Panel (1).

5



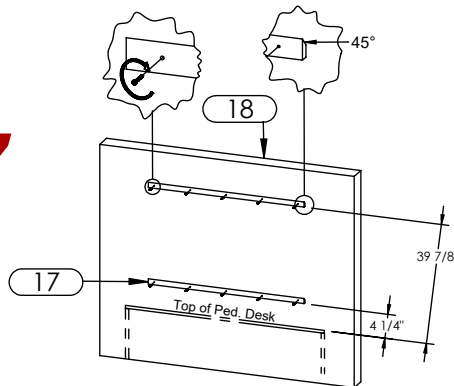
Use French Wall Cleats (17) to align well Left Panel (3) to Center Panel (1) and attach using 1-1/4" long Screws.

6



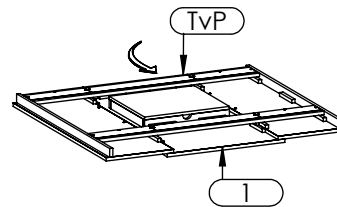
Place French Wall Cleats (17) on the back of TV Panel (TvP) and take the distances as shown in detail. Distances may vary.

7



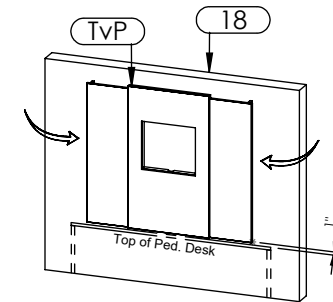
With a measuring tape and a pencil, mark on Wall (18) the distances taken before, plus 1". Distances are from the Top of the Pedestal Desk. Attach French Wall Cleats (17) at the center of Pedestal Desk using 2" long Screws.

8



To lift TV Panel (TvP) from floor, it's important to do it from top of the Center Panel (1).

9



To mount TV Panel (TvP) lift it from Side Panels and place it at the center of the French Wall Cleats (17) attached on Wall (18). Clearance between Top of Pedestal Desk and Tv Panel (TvP) should be approximately 1".

DICKSON
FURNITURE MANUFACTURERS