

OVERALL:
42"D x 20"W x 30"H

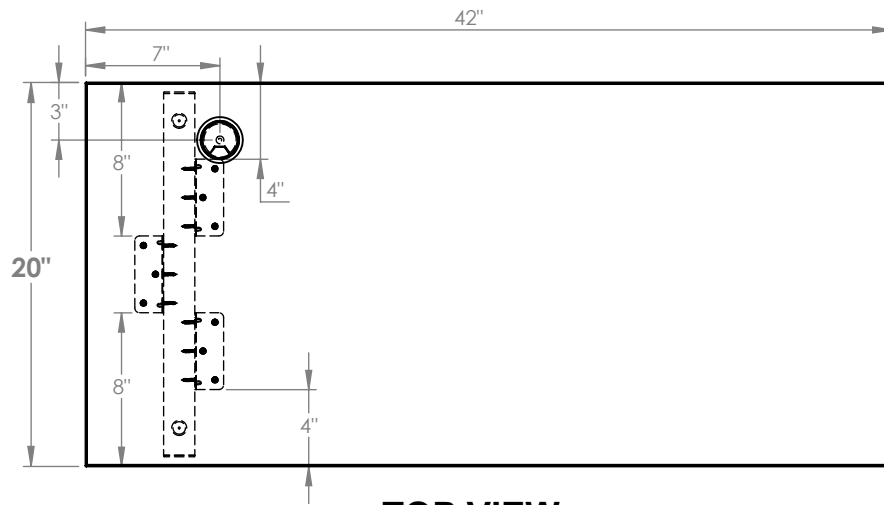
MATERIALS:
 - HP-Laminate PB-3/4"
 - 2mm Edge Tape
 - Plywood 1/2" Drawer Box
 - 14" Full Extension Drawer Guide
 - Plastic Nail Glide 3/4"
 - 2" Plastic Grommet Black
 - L-Bracket - 1.5" x 1.5" x 4"

COMMENTS:
 - Overall: 42"W x 20"D x 30"H
 - Color: Wilsonart - 0000 - Custom Laminate
 - Note: Dimensional Tolerance +/- 1/16"
 -
 -
 -

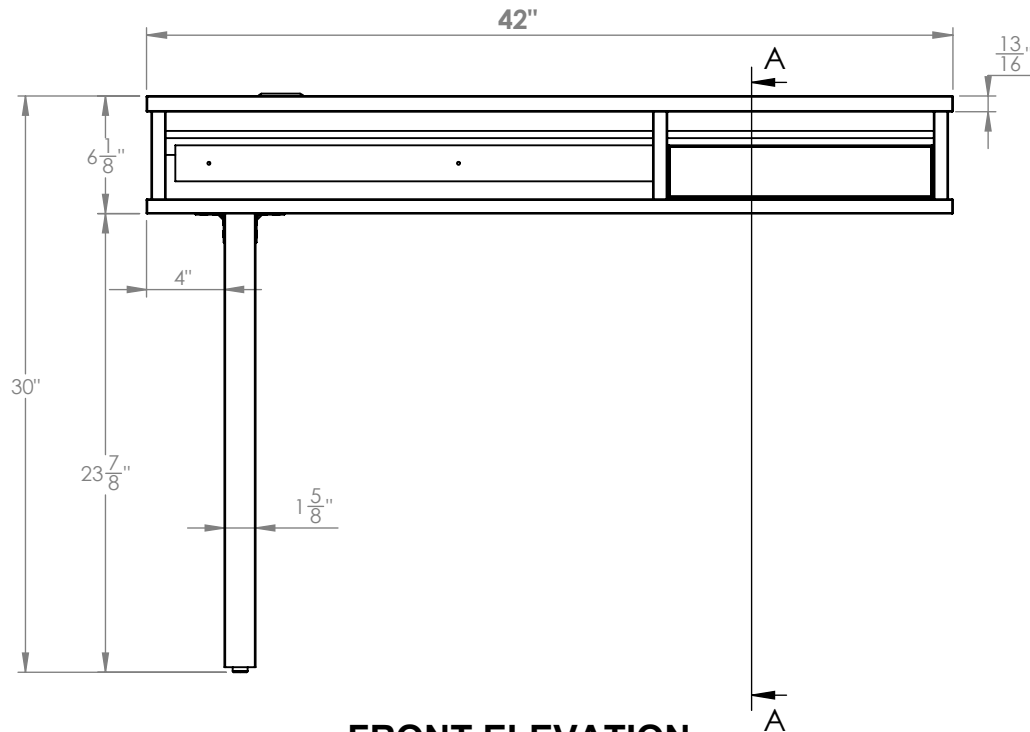
TITLE: AHB 8230XX TVU - 8230Super8 - TV Unit W-1Leg
REVISION DATE: 3/16/2022

NOTE: DESIGN AND DRAWINGS ARE PROPERTY OF DICKSON FURNITURE MANUFACTURERS LLC AND MAY NOT BE DUPLICATED OR REPRODUCED WITHOUT THE EXPRESS WRITTEN CONSENT OF DICKSON FURNITURE MANUFACTURERS LLC

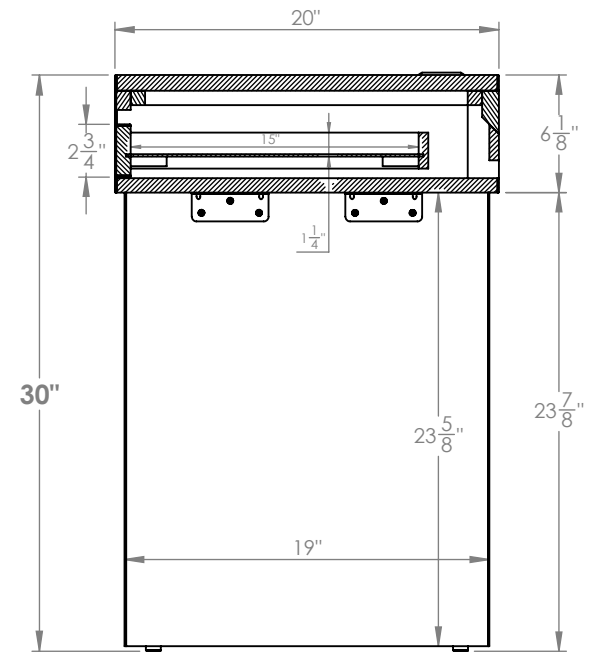
QUANTITY 00	DICKSON FURNITURE MANUFACTURERS
REV A	
DIMENSIONS ARE IN INCHES	SCALE: 1:7 SHEET 1 OF 4



TOP VIEW



FRONT ELEVATION



SECTION A-A

MATERIALS:
 - HP-Laminate PB-3/4"
 - 2mm Edge Tape
 - Plywood 1/2" Drawer Box
 - 14" Full Extension Drawer Guide
 - Plastic Nail Glide 3/4"
 - 2" Plastic Grommet Black
 - L-Bracket - 1.5" x 1.5" x 4"

COMMENTS:
 - Overall: 42"W x 20"D x 30"H
 - Color: Wilsonart - 0000 - Custom Laminate
 - Note: Dimensional Tolerance +/- 1/16"

TITLE: AHB 8230XX TVU - 8230Super8 - TV Unit W-1Leg
REVISION DATE: 3/16/2022

NOTE: DESIGN AND DRAWINGS ARE PROPERTY OF DICKSON FURNITURE MANUFACTURERS LLC AND MAY NOT BE DUPLICATED OR REPRODUCED WITHOUT THE EXPRESS WRITTEN CONSENT OF DICKSON FURNITURE MANUFACTURERS LLC

QUANTITY 00	DICKSON FURNITURE MANUFACTURERS
REV A	DIMENSIONS ARE IN INCHES
SHEET 2 OF 4	



IMPORTANT INFORMATION

- AHB 8230XX TVU - 8230Super8 - TV Unit W-1Leg -



Lift parts with at least 2 people

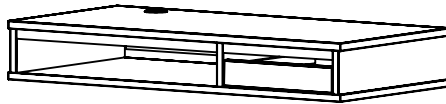
+RECOMMENDATIONS:

- Read instructions before installing
- Keep area clean
- Do not drag the parts
- Do not forget to wear PPE

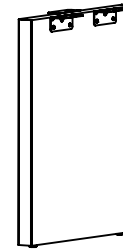
+PERSONAL PROTECTION EQUIPMENT (PPE)

- Hand Protection
- Eye Protection
- Waist Support Belt

Parts:



TV Desk



Leg

+Tools:

**Optional to mount on wall*



**Water level*



**Measuring Tape*



**Pencil*



Electric screwdriver

+Hardware:



Screw

DICKSON

FURNITURE MANUFACTURERS

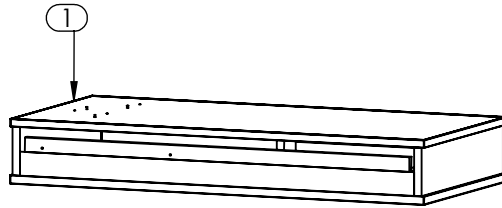
STEP #1

Note: Assembly can be done with one person.

ASSEMBLY INSTRUCTIONS

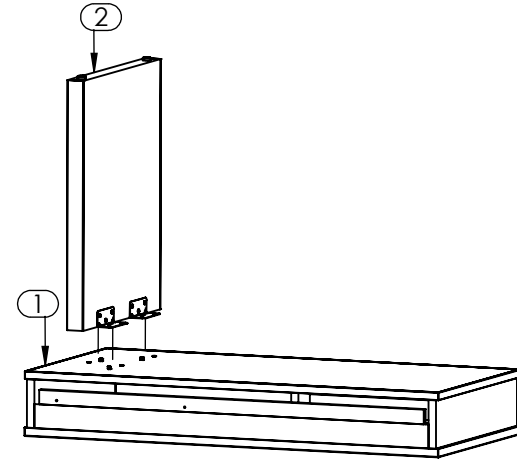
- AHB 8230XX TVU - 8230Super8 - TV Unit W-1Leg -

1



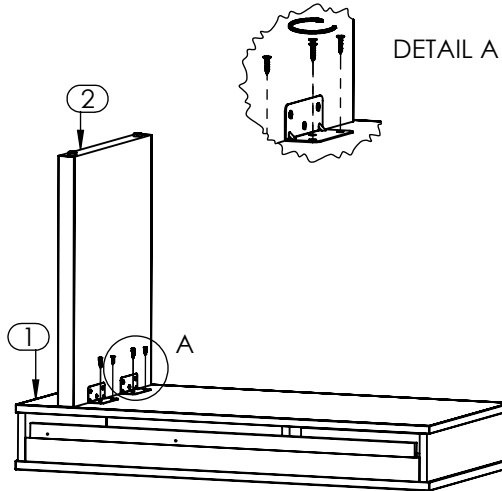
Place TV Desk (1) upside down on Floor.

2



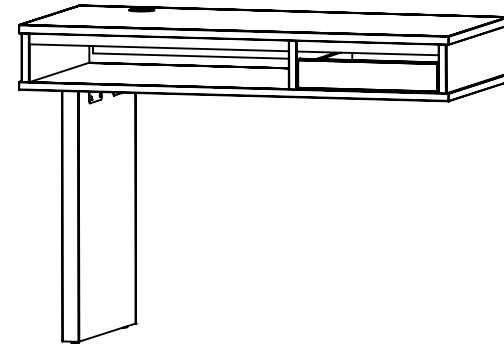
Place Leg (2) with L-Brackets on TV Desk (1). It is clearly marked where the Leg (2) should be attached .

3



Attach Leg (2) on TV Desk (1) with screws using the screwdriver. Now you can rotate it upside up.

4



TV Unit W-1 Leg completely assembled.