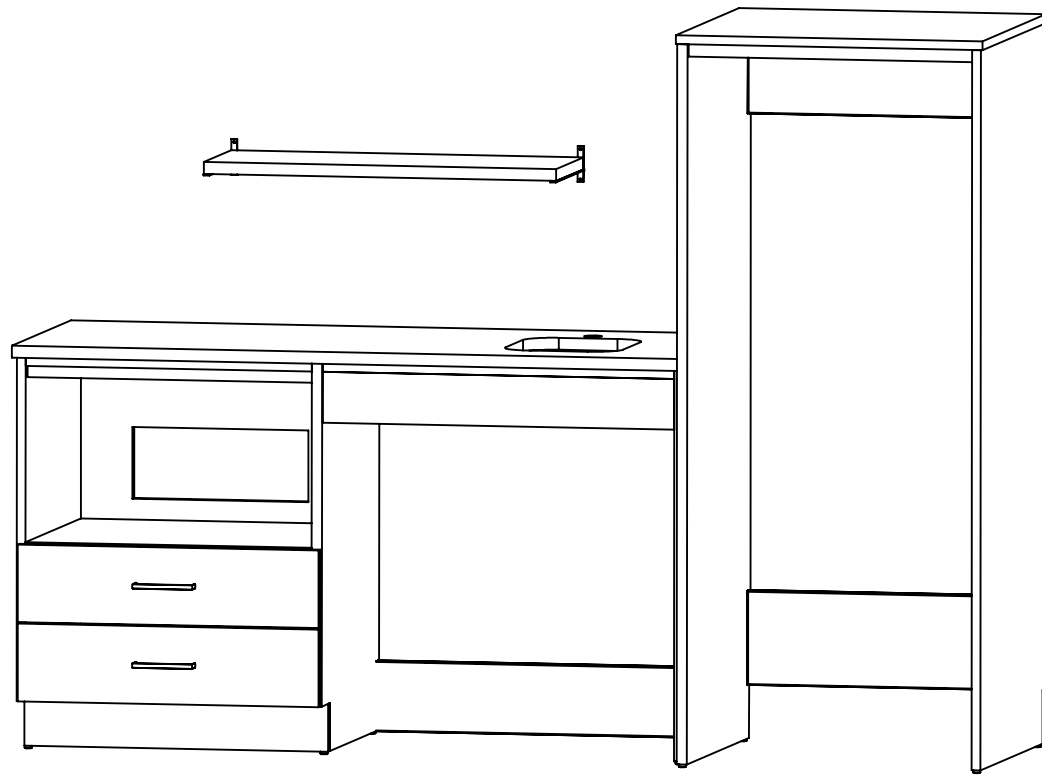


1

2

A

A



B

B

Overall:
83"W x 25 1/2"D x 61 1/4"H

MATERIALS:

- HP Laminat PB-3/4
- .018 Edge Tape
- Bottom Nail Glide
- Plywood 1/2" Drawer Box
- 14" HD-Full Extension Drawer Guide
- Metro 96mm CC Matte Black Pull 4111-1055-P

COMMENTS:

- Overall: 83"W x 25 1/2"D x 61 1/4"H
- Color: Asian Night - 7949 - Outside
- Color - Matt Black - 1595-60 - Inside
- Note: Dimensional Tolerance +/- 1/16"

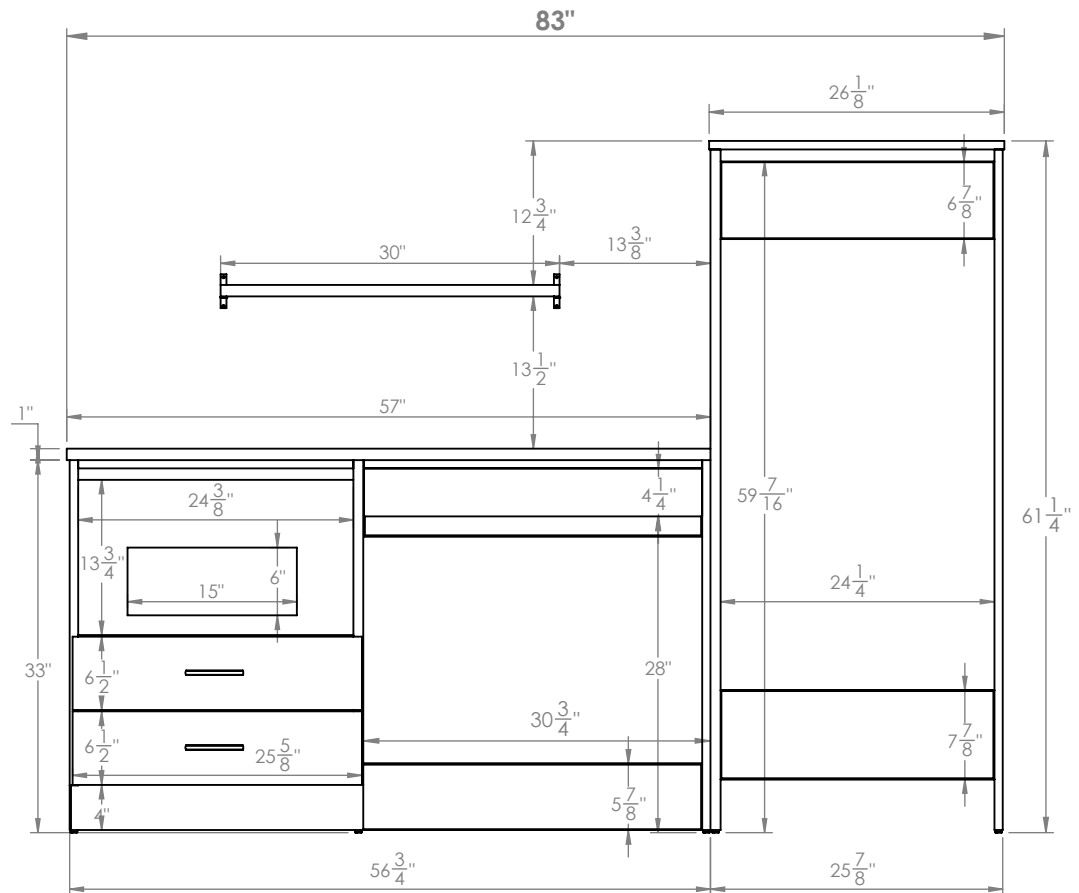
TITLE: AHK 8170XXYY KC83SR KIT - 8170M6 - 83" ADA Ktchn Cab R-KIT
REVISION DATE:

NOTE: DESIGN AND DRAWINGS ARE PROPERTY OF DICKSON FURNITURE MANUFACTURERS LLC AND MAY NOT BE DUPLICATED OR REPRODUCED WITHOUT THE EXPRESS WRITTEN CONSENT OF DICKSON FURNITURE MANUFACTURERS LLC

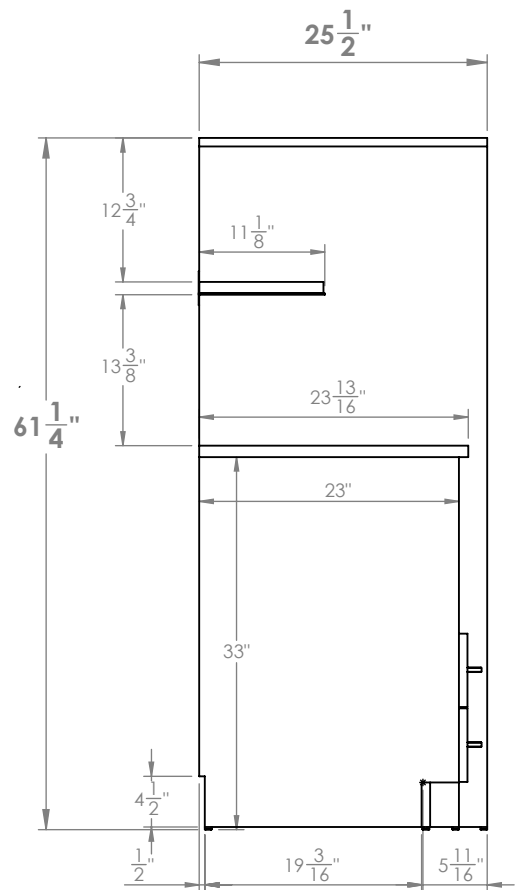
QUANTITY	00	DICKSON FURNITURE MANUFACTURERS
REV	A	
DIMENSIONS ARE IN INCHES		SCALE: 1:8
		SHEET 1 OF 4

1

2



FRONT ELEVATION



SIDE VIEW

- MATERIALS:**
- HP-Laminate PB-3/4
 - .018 Edge Tape
 - Bottom Nail Glide
 - Plywood 1/2" Drawer Box
 - 14" HD-Full Extension Drawer Guide
 - Metro 96mm CC Matte Black Pull 4111-1055-P

- COMMENTS:**
- Overall: 83"W x 25 1/2"D x 61 1/4"H
 - Color: Asian Night - 7949 - Outside
 - Color - Matt Black - 1595-60 - Inside
 - Note: Dimensional Tolerance +/- 1/16"

TITLE: AHK 8170XXYY KC83SR KIT - 8170M6 - 83" ADA Ktchn Cab R-KIT
REVISION DATE:

NOTE: DESIGN AND DRAWINGS ARE PROPERTY OF DICKSON FURNITURE MANUFACTURERS LLC AND MAY NOT BE DUPLICATED OR REPRODUCED WITHOUT THE EXPRESS WRITTEN CONSENT OF DICKSON FURNITURE MANUFACTURERS LLC

QUANTITY	00
REV	A
DIMENSIONS ARE IN INCHES	

DICKSON
FURNITURE MANUFACTURERS

SCALE: 1:17
SHEET 2 OF 4



IMPORTANT INFORMATION

- AHK 8170XXYY KC83SL KIT - 8170M6 - 83" ADA Ktchn Cab L-KIT -



Lift parts with at least 2 people

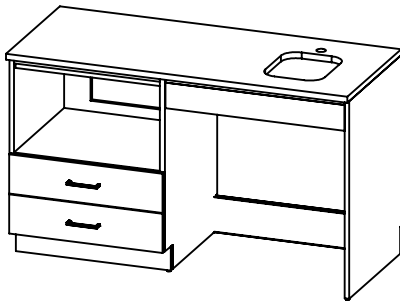
*RECOMMENDATIONS:

- Read instructions before assembling
- Keep area clean
- Do not drag the parts
- Do not forget to wear PPE

*PERSONAL PROTECTION EQUIPMENT (PPE)

- Hand Protection
- Eye Protection
- Waist Support belt

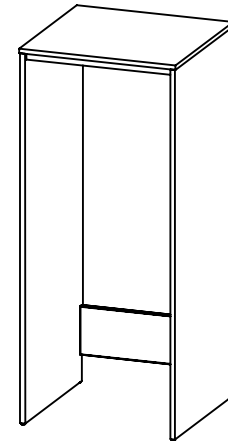
PARTS:



Combo



Shelf



ADA Closet

*Tools:



Water level



Measuring Tape



Pencil



Drill

*Hardware:



Screw



Shims

DICKSON

FURNITURE MANUFACTURERS

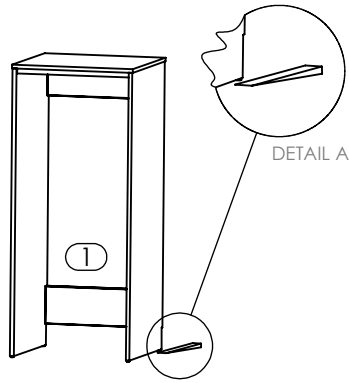
STEP #1

ASSEMBLY INSTRUCTIONS

- AHK 8170XXYY KC83SR KIT - 8170M6 - 83" ADA Ktchn Cab R-KIT -

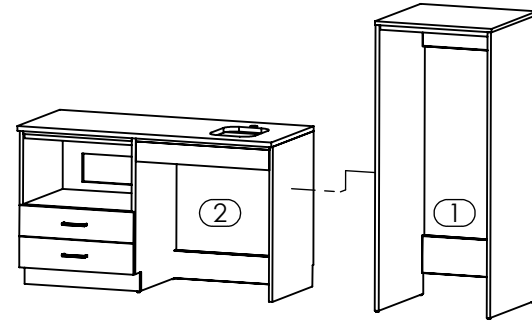
Note: Assembly can be done with 2 people.

1



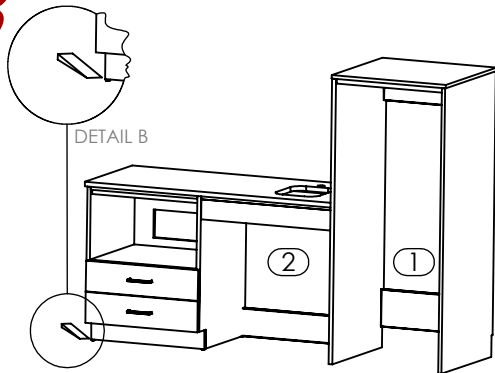
Level the ADA Closet(1) with shims. Verify by using Water Level. (Reference Detail A).

2



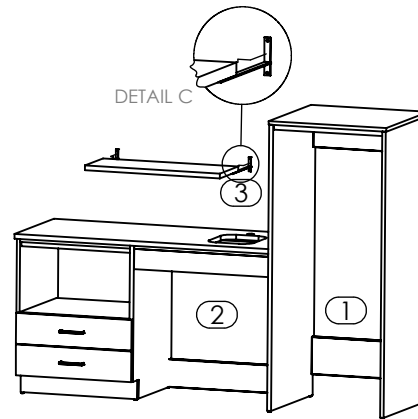
Align the combo(2) with ADA closet(1) flush from the Back.

3



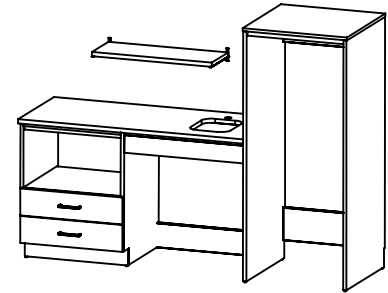
Level the Combo(2) with shims. Verify by using Water Level. (Reference Detail B).

4



Attach the Shelves (3) to the Wall at the necessary height. Verify by using Water Level and Measuring Tape.

5



ADA Ktchn Cab L-KIT completely assembled.

DICKSON

FURNITURE MANUFACTURERS