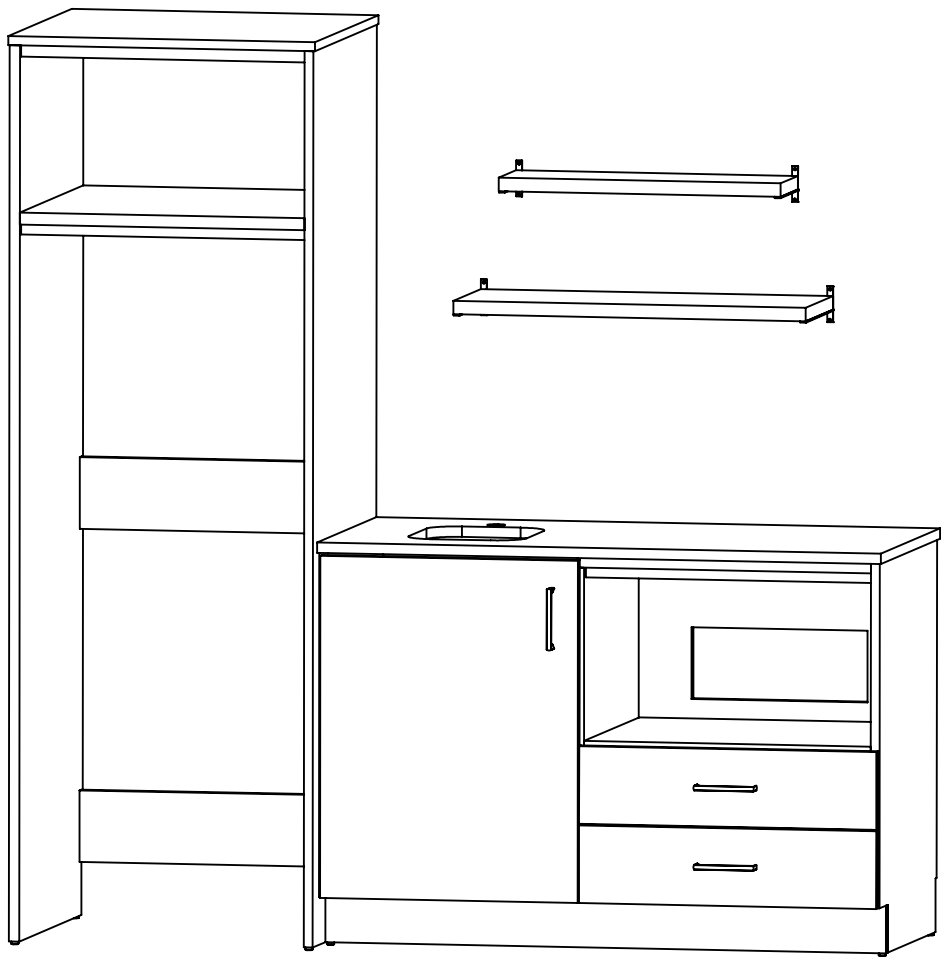


1

2

A

A



B

B

**Overall:**  
74"W x 25 1/2"D x 76"H

**MATERIALS:**

- HP Laminare PB-3/4
- .018 Edge Tape
- Bottom Nail Glide
- Plywood 1/2" Drawer Box
- 14" HD-Full Extension Drawer Guide
- Metro 96mm CC Matte Black Pull 4111-1055-P

**COMMENTS:**

- Overall: 74"W x 25 1/2"D x 76"H
- Color: Asian Night - 7949 - Outside
- Color - Matt Black - 1595-60 - Inside
- Note: Dimensional Tolerance +/- 1/16"

**TITLE:** AHK 8170XXYY KC74SL KIT - 8170M6 - 74" Kitchen Cabinet L-KIT

**REVISION DATE:**

NOTE: DESIGN AND DRAWINGS ARE PROPERTY OF DICKSON FURNITURE MANUFACTURERS LLC AND MAY NOT BE DUPLICATED OR REPRODUCED WITHOUT THE EXPRESS WRITTEN CONSENT OF DICKSON FURNITURE MANUFACTURERS LLC

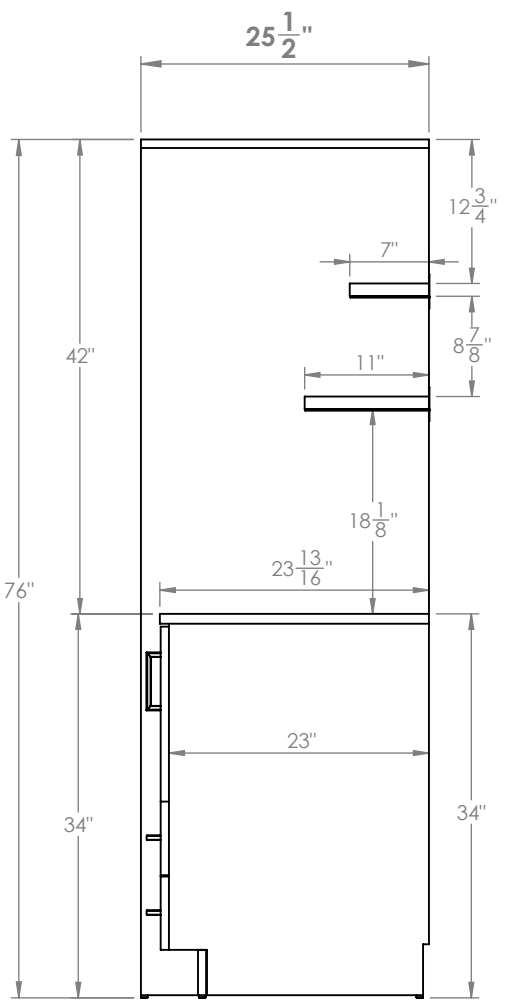
QUANTITY	00	<b>DICKSON</b> FURNITURE MANUFACTURERS
REV	A	
DIMENSIONS ARE IN INCHES		SCALE: 1:8
		SHEET 1 OF 4

1

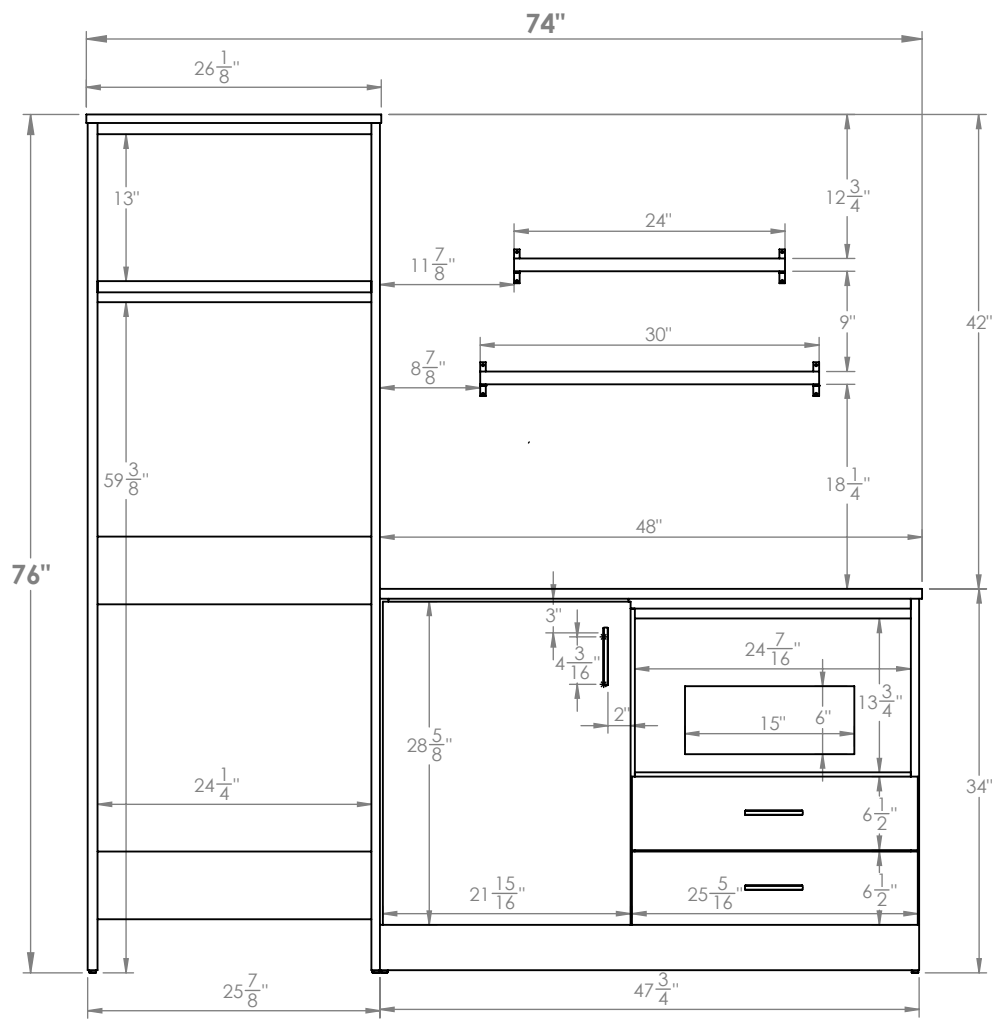
2

1

2



**SIDE VIEW**



**FRONT ELEVATION**

- MATERIALS:**
- HP-Laminate PB-3/4
  - .018 Edge Tape
  - Bottom Nail Glide
  - Plywood 1/2" Drawer Box
  - 14" HD-Full Extension Drawer Guide
  - Metro 96mm CC Matte Black Pull 4111-1055-P

- COMMENTS:**
- Overall: 74"W x 25 1/2"D x 76"H
  - Color: Asian Night - 7949 - Outside
  - Color - Matt Black - 1595-60 - Inside
  - Note: Dimensional Tolerance +/- 1/16"

**TITLE:** AHK 8170XXYY KC74SL KIT - 8170M6 - 74" Kitchen Cabinet L-KIT  
**REVISION DATE:**

NOTE: DESIGN AND DRAWINGS ARE PROPERTY OF DICKSON FURNITURE MANUFACTURERS LLC AND MAY NOT BE DUPLICATED OR REPRODUCED WITHOUT THE EXPRESS WRITTEN CONSENT OF DICKSON FURNITURE MANUFACTURERS LLC

QUANTITY  
**00**  
REV  
**A**  
DIMENSIONS  
ARE IN  
INCHES

**DICKSON**  
FURNITURE MANUFACTURERS

SCALE: 1:17  
SHEET 2 OF 4

1

2

A

A

B

B



# IMPORTANT INFORMATION

- AHK 8170XXYY KC74SL KIT - 8170M6 - 74" Kitchen Cabinet L-KIT -



Lift parts with at least 2 people

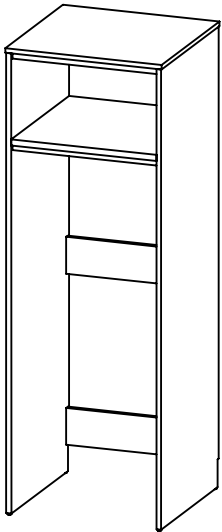
## \*RECOMMENDATIONS:

- Read instructions before assembling
- Keep area clean
- Do not drag the parts
- Do not forget to wear PPE

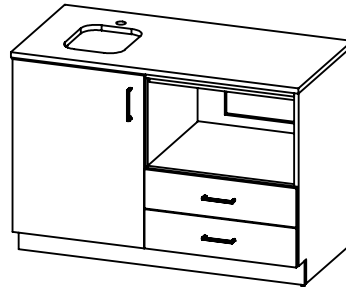
## \*PERSONAL PROTECTION EQUIPMENT (PPE)

- Hand Protection
- Eye Protection
- Waist Support Belt

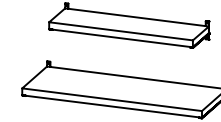
## PARTS:



Closet



Combo



Shelf

## \*Tools:



Water level



Measuring Tape



Pencil



Drill

## \*Hardware:



Screw



Shims

# DICKSON

FURNITURE MANUFACTURERS

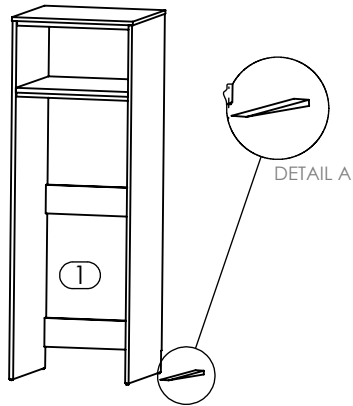
# STEP #1

# ASSEMBLY INSTRUCTIONS

- AHK 8170XXYY KC74SL KIT - 8170M6 - 74" Kitchen Cabinet L-KIT -

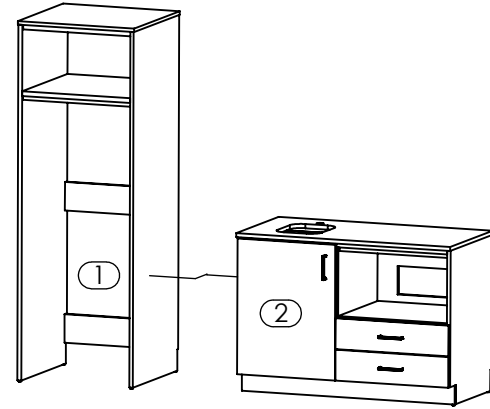
Note: Assembly can be done with 2 people.

**1**



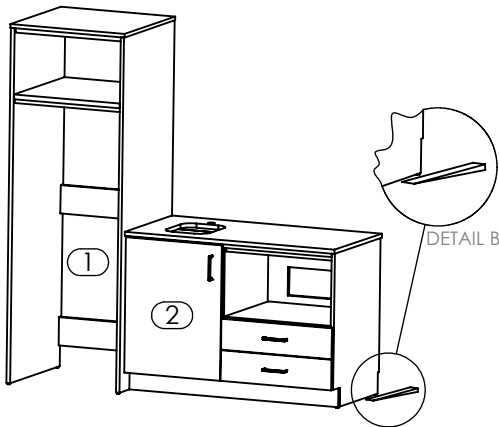
Level the Closet(1) with shims. Verify by using Water Level. (Reference Detail A).

**2**



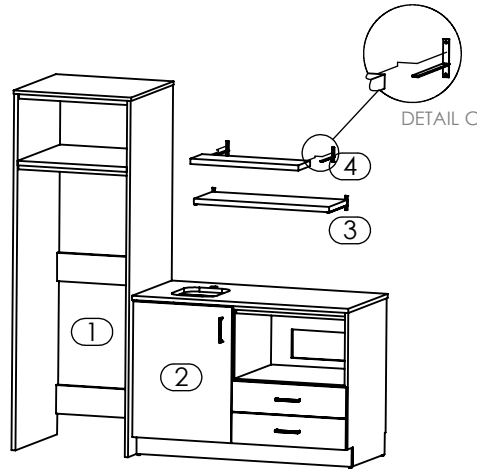
Align the combo(2) with closet(1) flush from the Back.

**3**



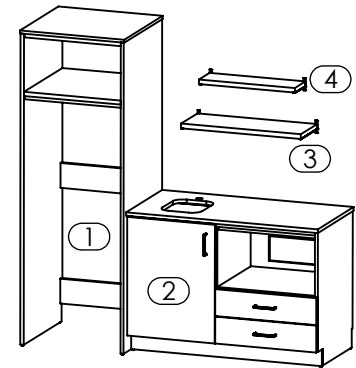
Level the Combo(2) with shims. Verify by using Water Level. (Reference Detail B).

**4**



Attach the Shelves (3)(4) to the Wall at the necessary height. Verify by using Water Level and Measuring Tape.

**5**



Kitchen Cabinet L-KIT completely assembled.