

Overall:
56 3/4"W x 23 13/16"D x 33"H

MATERIALS:

- HP Laminated PB-3/4
- .018 Edge Tape
- Bottom Nail Glide
- Plywood 1/2" Drawer Box
- 14" HD-Full Extension Drawer Guide
- Metro 96mm CC Matte Black Pull 4111-1055-P

COMMENTS:

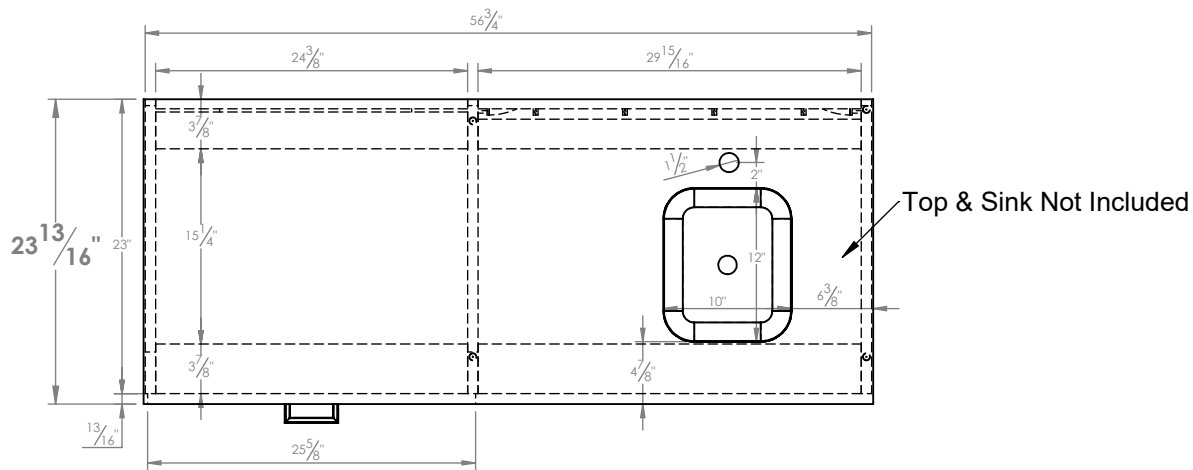
- Overall: 56 3/4"W x 23 13/16"D x 33"H
- Color: Asian Night - 7949 - Outside
- Color - Matt Black - 1595-60 - Inside
- Note: Dimensional Tolerance +/- 1/16"

TITLE: AHK 8170XXYY KC57SR - 8170M6 - 57" ADA Kitchen Cab R-Sink

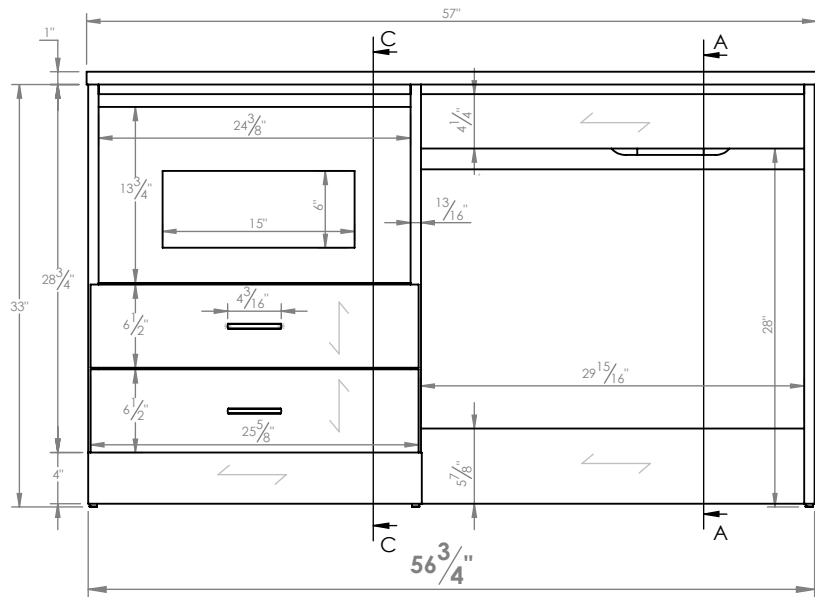
REVISION DATE:

NOTE: DESIGN AND DRAWINGS ARE PROPERTY OF DICKSON FURNITURE MANUFACTURERS LLC AND MAY NOT BE DUPLICATED OR REPRODUCED WITHOUT THE EXPRESS WRITTEN CONSENT OF DICKSON FURNITURE MANUFACTURERS LLC

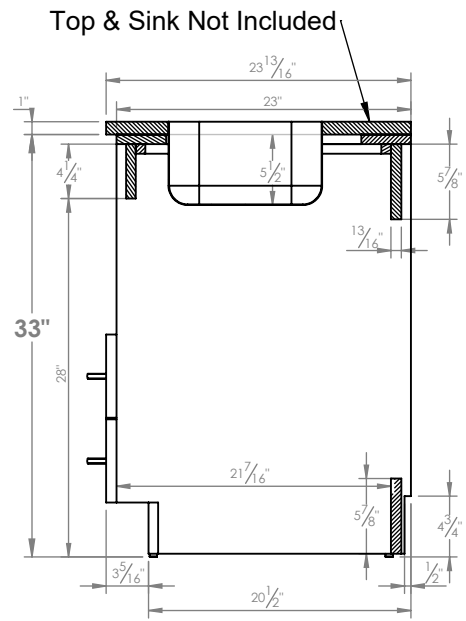
QUANTITY	00	DICKSON FURNITURE MANUFACTURERS
REV	A	
DIMENSIONS ARE IN INCHES	SCALE: 1:8	
SHEET 1 OF 5		



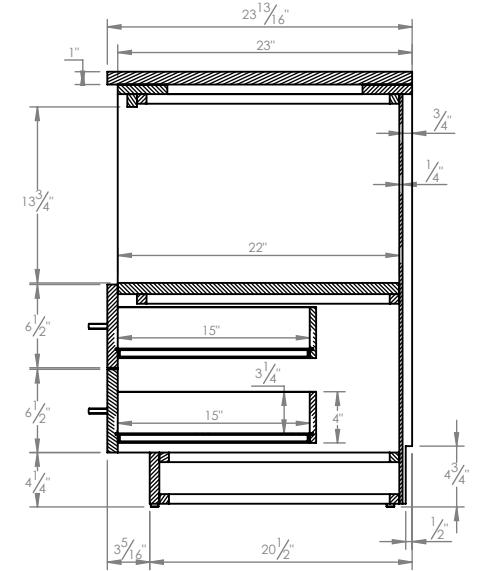
TOP VIEW



FRONT ELEVATION



SIDE VIEW SECTION A-A



SIDE VIEW SECTION C-C

- MATERIALS:**
- HP-Laminate PB-3/4
 - .018 Edge Tape
 - Color: Asian Night - 7949 - Outside
 - Color - Matt Black - 1595-60 - Inside
 - Note: Dimensional Tolerance +/- 1/16"

- COMMENTS:**
- Overall: $56\frac{3}{4}$ "W x $23\frac{13}{16}$ "D x $33\frac{3}{4}$ "H
 - Color: Asian Night - 7949 - Outside
 - Color - Matt Black - 1595-60 - Inside
 - Note: Dimensional Tolerance +/- 1/16"

TITLE: AHK 8170XXYY KC57SR - 8170M6 - 57" ADA Kitchen Cab R-Sink
REVISION DATE:

NOTE: DESIGN AND DRAWINGS ARE PROPERTY OF DICKSON FURNITURE MANUFACTURERS LLC AND MAY NOT BE DUPLICATED OR REPRODUCED WITHOUT THE EXPRESS WRITTEN CONSENT OF DICKSON FURNITURE MANUFACTURERS LLC

DICKSON
FURNITURE MANUFACTURERS

QUANTITY: **00**

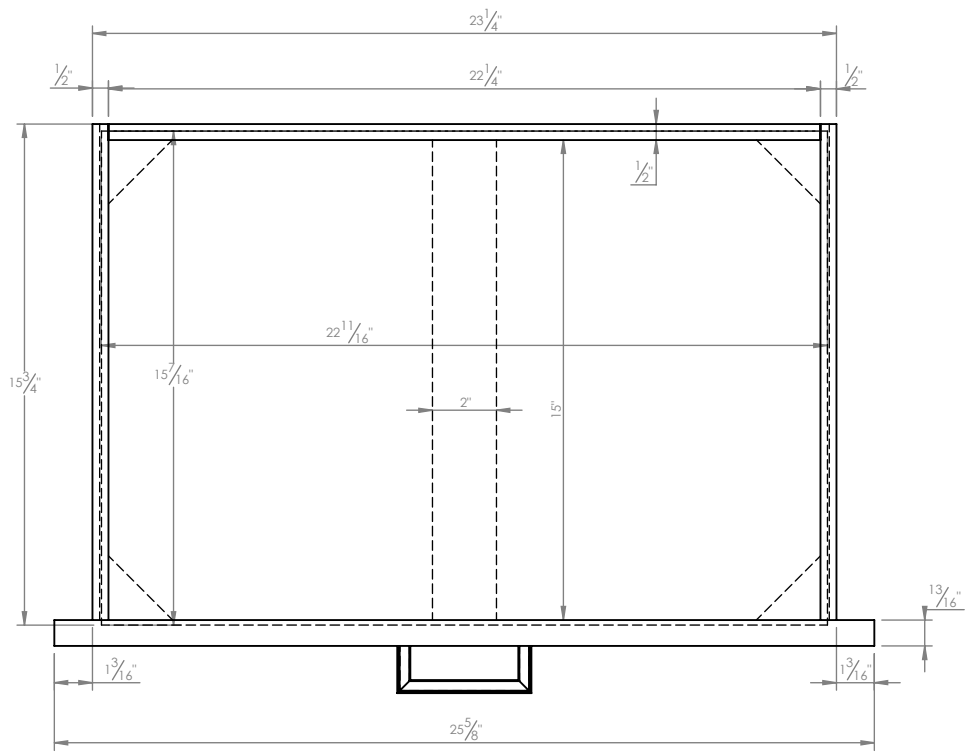
REV: **A**

DIMENSIONS ARE IN INCHES

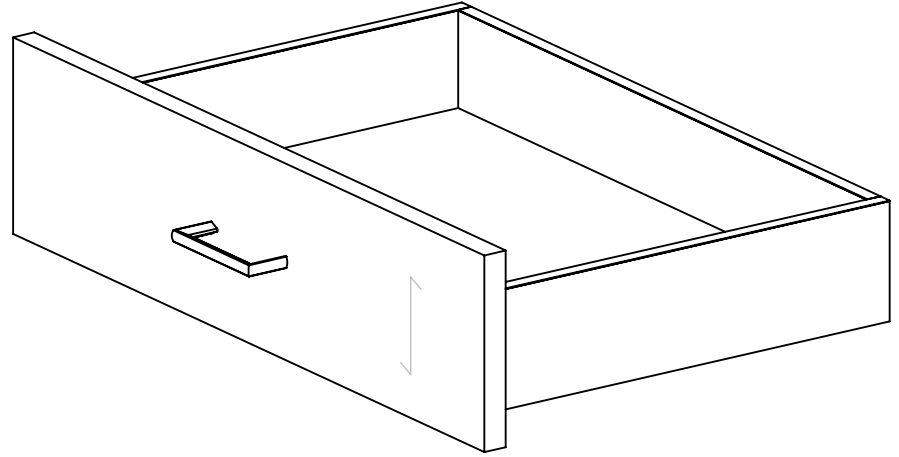
SCALE: 1:15

SHEET 2 OF 5

A

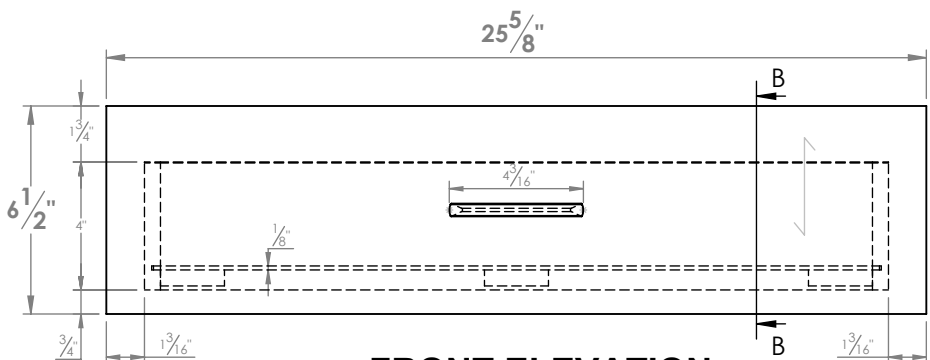


TOP VIEW

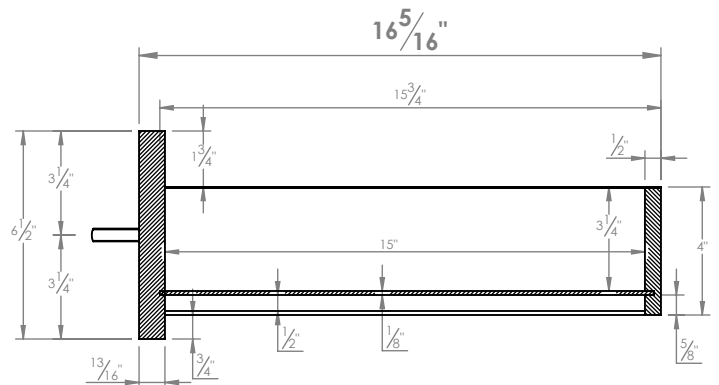


A

B



FRONT ELEVATION



SIDE VIEW SECTION B-B

B

- MATERIALS:**
- HP-Laminate PB-3/4" Front Panel
 - .018 Edge Tape
 - Plywood 1/2" Drawer Box
 - 14" HD-Full Extension Drawer Guide
 - Sutton Black Square Pull 5 7/8" 635-128MB

- COMMENTS:**
- Overall: 25 5/8"W x 16 5/16"D x 6 1/2"H
 - Color: Asian Night - 7949 - Outside
 - Color - Matt Black - 1595-60 - Inside
 - Note: Dimensional Tolerance +/- 1/16"

TITLE: AHK 8170XXYY KC57SR - 8170M6 - 57" ADA Kitchen Cab R-Sink
REVISION DATE:

NOTE: DESIGN AND DRAWINGS ARE PROPERTY OF DICKSON FURNITURE MANUFACTURERS LLC AND MAY NOT BE DUPLICATED OR REPRODUCED WITHOUT THE EXPRESS WRITTEN CONSENT OF DICKSON FURNITURE MANUFACTURERS LLC

QUANTITY 00 REV A <small>DIMENSIONS ARE IN INCHES</small>	DICKSON <small>FURNITURE MANUFACTURERS</small>
	SCALE: 1:6
	SHEET 3 OF 5



IMPORTANT INFORMATION

- AHK 8170XXYY KC57SR - 8170M6 - 57" ADA Kitchen Cab R-Sink -



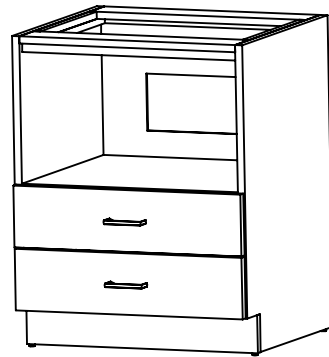
Lift parts with at least 2 people

*RECOMMENDATIONS:

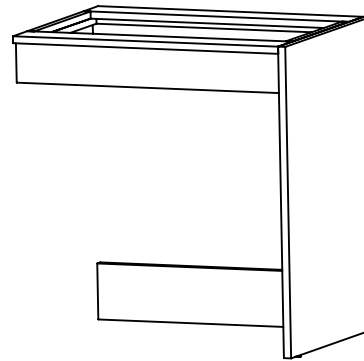
- Read instructions before installing
- Keep area clean
- Do not drag the parts
- Do not forget to wear PPE

*PERSONAL PROTECTION EQUIPMENT (PPE)

- Hand Protection
- Eye Protection
- Waist Support Belt



Left Pedestal



Cab R-Sink

*Tools:



Water level



Measuring Tape



Pencil



Drill

*Hardware:



Screw

DICKSON

FURNITURE MANUFACTURERS

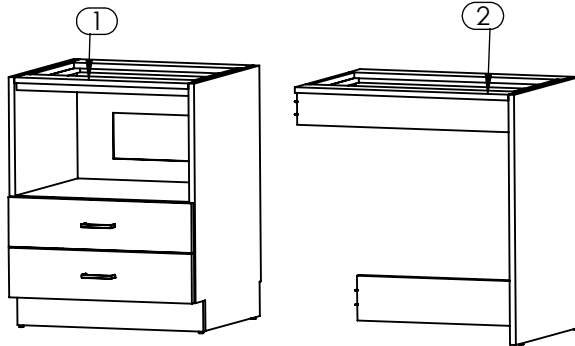
STEP #1

Note: Assembly can be done with one person.

ASSEMBLY INSTRUCTIONS

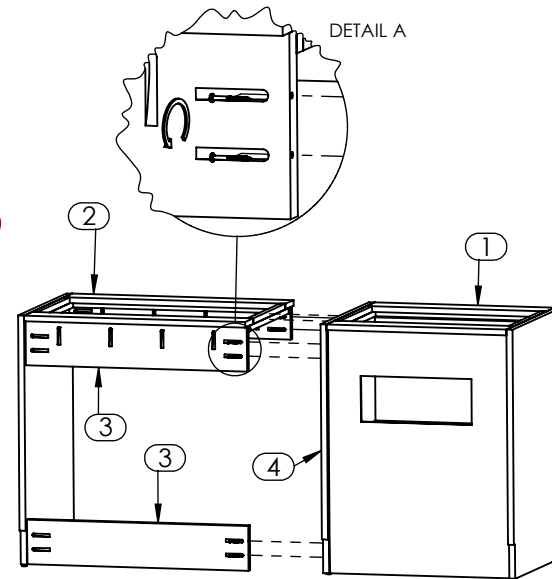
- AHK 8170XXYY KC57SR - 8170M6 - 57" ADA Kitchen Cab R-Sink -

1



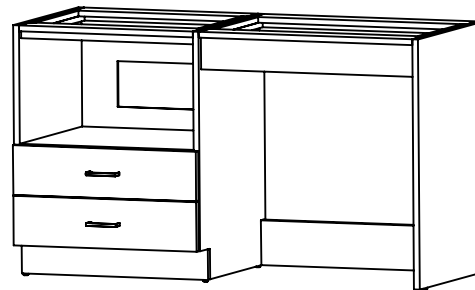
Place Left Pedestal (1) and Cab R-Sink (2) side by side and align them.

2



Attach Cab R-Sink Nailers (3), to Left Pedestal right side panel (4) using screws. (Reference Detail A).

3



ADA Kitchen Cab R-Sink completely assembled

DICKSON
FURNITURE MANUFACTURERS