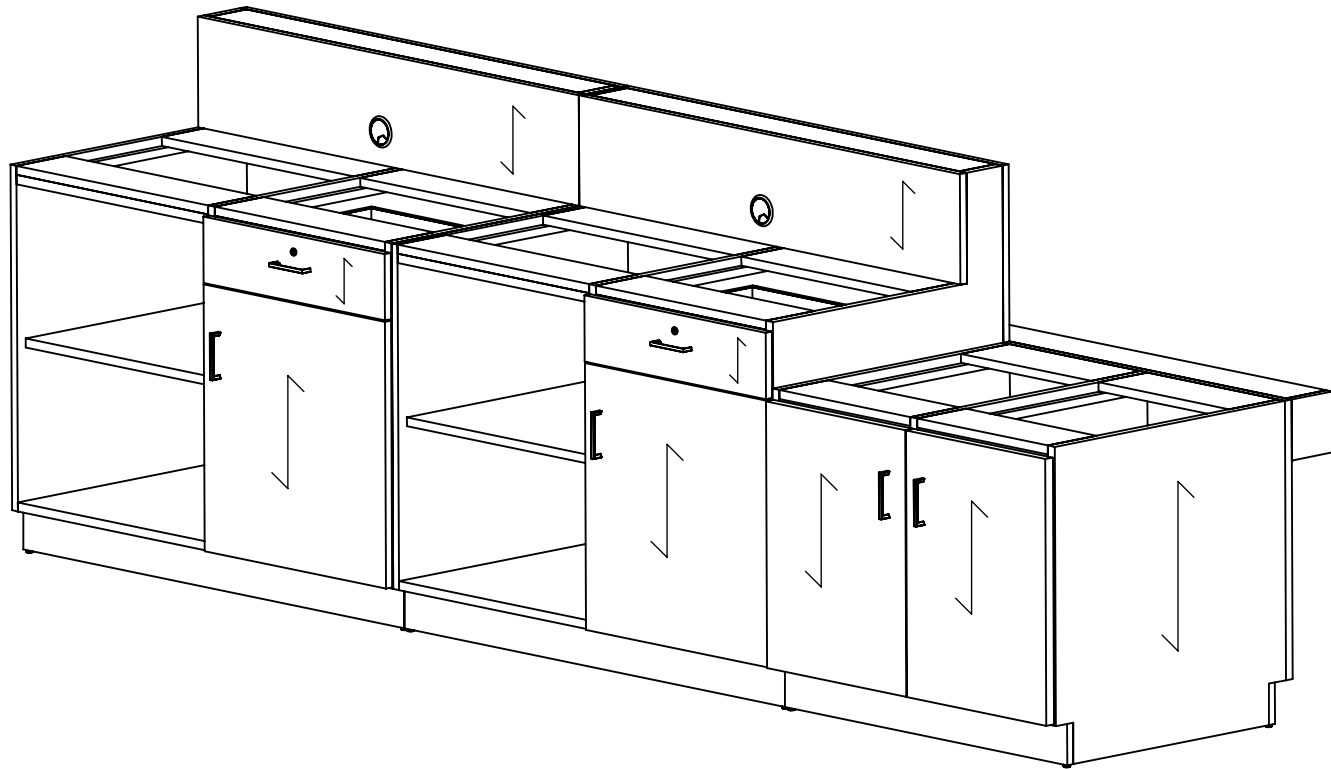


1

2

A

A



B

B

**Overall:**  
 133 1/4"W x 34 1/4"D x 45 1/4"H

**MATERIALS:**

- HP-Laminate PB-3/4
- 2mm Edge Tape On Shelf
- Plywood 1/2" Drawer Box
- 16" HD-Full Extension Drawer Guide
- Metro 96mm CC Matte Black Pull 4111-1055-P

**COMMENTS:**

- Overall: 133 1/4"W x 34 1/4"D x 45 1/4"H
- Color: Wilsonart - 000 - Custom Laminate
- Color - Powder Coated Paint
- Note: Dimensional Tolerance +/- 1/16"

**TITLE:** AHL 8170XXYY LD133L - 8170M6 - 133 ADA Lobby Desk Left  
**REVISION DATE:**

NOTE: DESIGN AND DRAWINGS ARE PROPERTY OF DICKSON FURNITURE MANUFACTURERS LLC AND MAY NOT BE DUPLICATED OR REPRODUCED WITHOUT THE EXPRESS WRITTEN CONSENT OF DICKSON FURNITURE MANUFACTURERS LLC

QUANTITY	00	<b>DICKSON</b> FURNITURE MANUFACTURERS
REV	A	
DIMENSIONS ARE IN INCHES		SCALE: 1:10 SHEET 1 OF 4

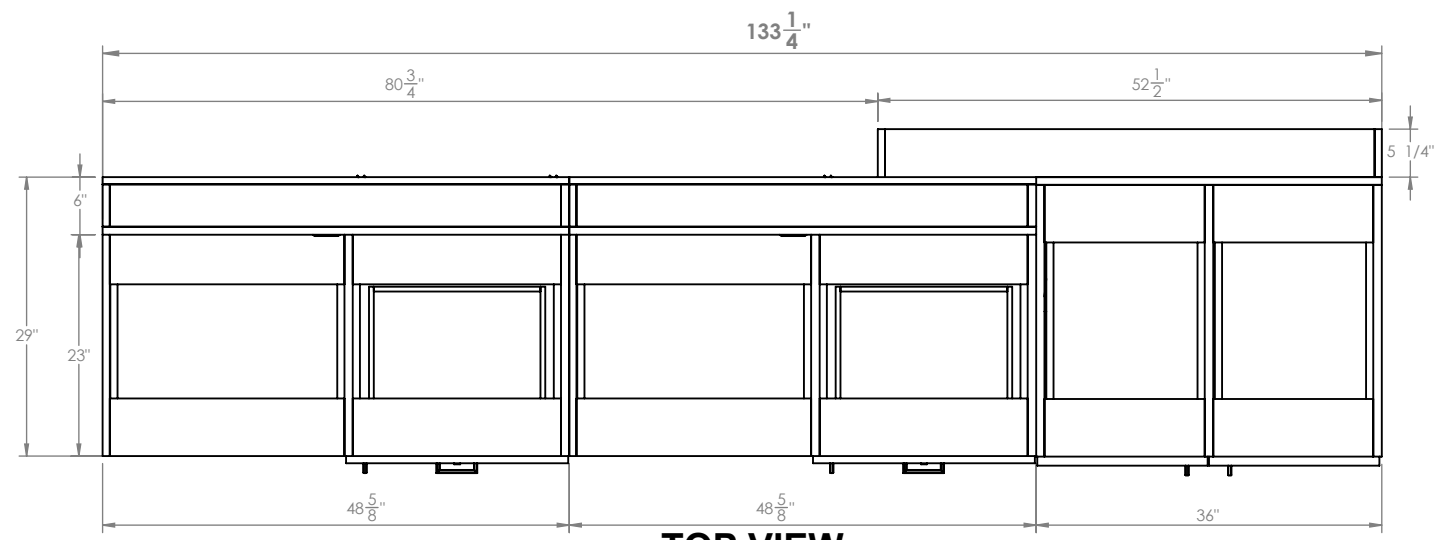
1

2

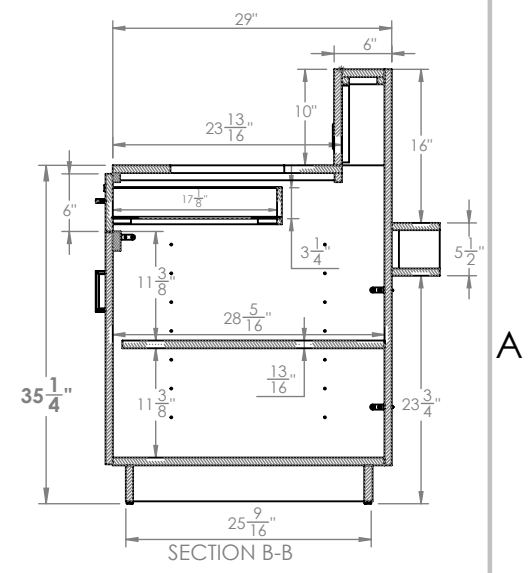
1

2

A

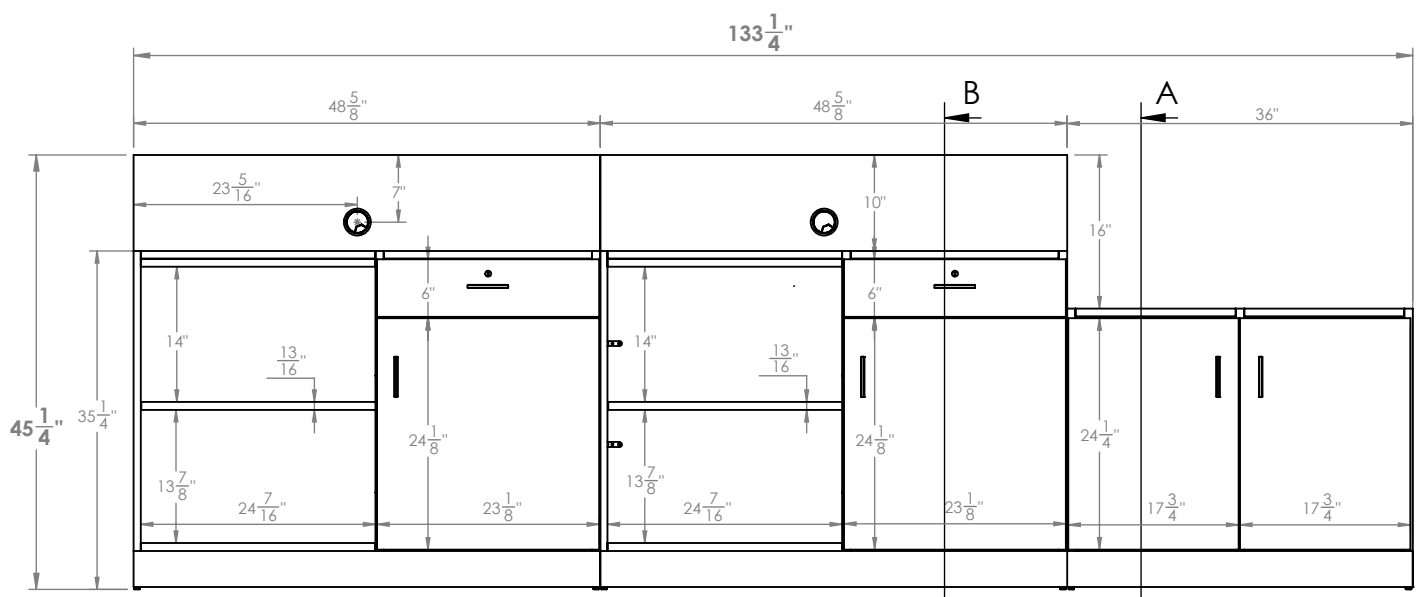


TOP VIEW

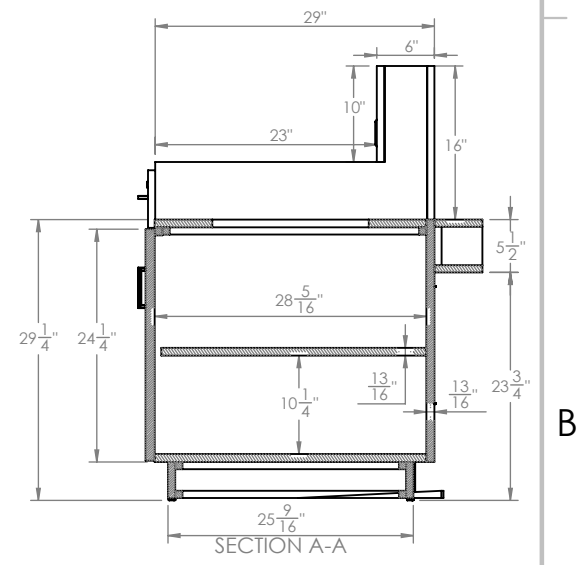


SECTION B-B

B



FRONT ELEVATION



SECTION A-A

- MATERIALS:**
- HP-Laminate PB-3/4
  - 2mm Edge Tape On Shelf
  - Plywood 1/2" Drawer Box
  - 16" HD-Full Extension Drawer Guide
  - Metro 96mm CC Matte Black Pull 4111-1055-P

- COMMENTS:**
- Overall: 133 1/4"W x 34 1/4"D x 45 1/4"H
  - Color: Wilsonart - 000 - Custom Laminate
  - Color - Powder Coated Paint
  - Note: Dimensional Tolerance +/- 1/16"

**TITLE:** AHL 8170XXYY LD133L - 8170M6 - 133 ADA Lobby Desk Left  
**REVISION DATE:**

NOTE: DESIGN AND DRAWINGS ARE PROPERTY OF DICKSON FURNITURE MANUFACTURERS LLC AND MAY NOT BE DUPLICATED OR REPRODUCED WITHOUT THE EXPRESS WRITTEN CONSENT OF DICKSON FURNITURE MANUFACTURERS LLC

<b>DICKSON</b>	
FURNITURE MANUFACTURERS	
QUANTITY	00
REV	A
DIMENSIONS ARE IN INCHES	
SCALE: 1:20	
SHEET 2 OF 4	

1

2



# IMPORTANT INFORMATION

- AHL 8170XXYY LD133L - 8170M6 - 133" ADA Lobby Desk Left -



Lift parts with at least 2 people

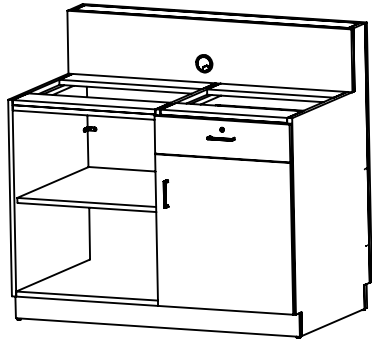
## \*RECOMMENDATIONS:

- Read instructions before assembling
- Keep area clean
- Do not drag the parts
- Do not forget to wear PPE

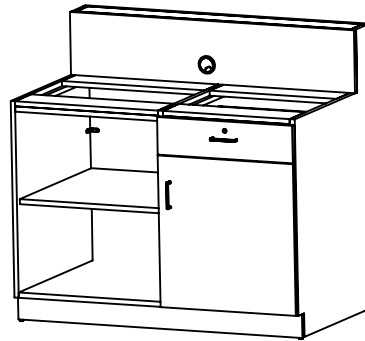
## \*PERSONAL PROTECTION EQUIPMENT (PPE)

- Hand Protection
- Eye Protection
- Waist Support belt

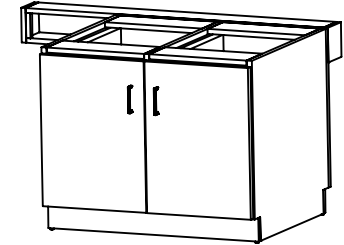
## PARTS:



Left Pedestal



Right Pedestal



Pedestal ADA

## \*Tools:



Water level



Measuring Tape



Pencil



Drill

## \*Hardware:



Screw



Shims

# DICKSON

FURNITURE MANUFACTURERS

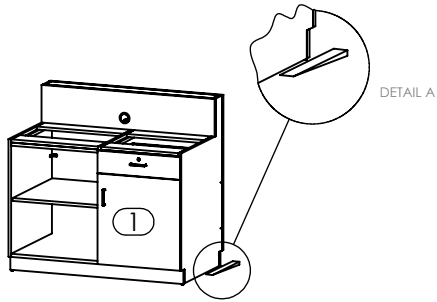
# STEP #1

# ASSEMBLY INSTRUCTIONS

Note: Assembly can be done with 2 people.

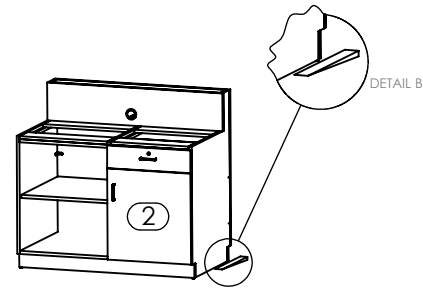
- AHL 8170XXYY LD133L - 8170M6 - 133" ADA Lobby Desk Left -

1



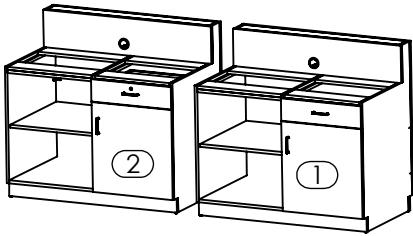
Level the Right Pedestal(1) with shims. Verify by using Water Level. (Reference Detail A).

2



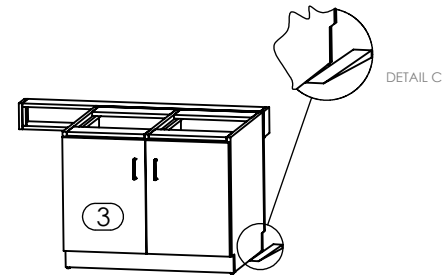
Level the Left Pedestal(2) with shims. Verify by using Water Level. (Reference Detail B).

3



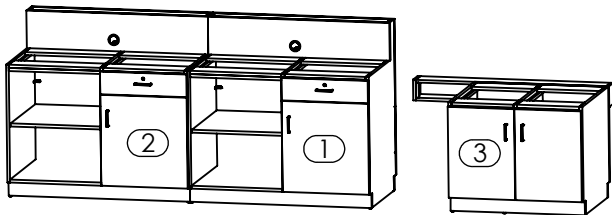
Align Pedestals(1)(2) flush from the Back.

4



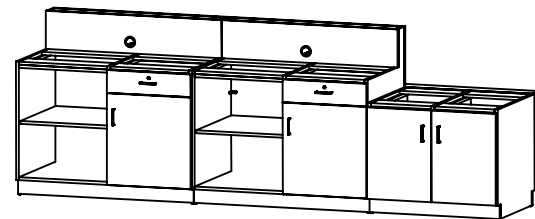
Level the Pedestal ADA(3) with shims. Verify by using Water Level. (Reference Detail C).

5



Align the Pedestal ADA(3) with Pedestals(1)(2) flush from the Back.

6



ADA Lobby Desk Left completely assembled