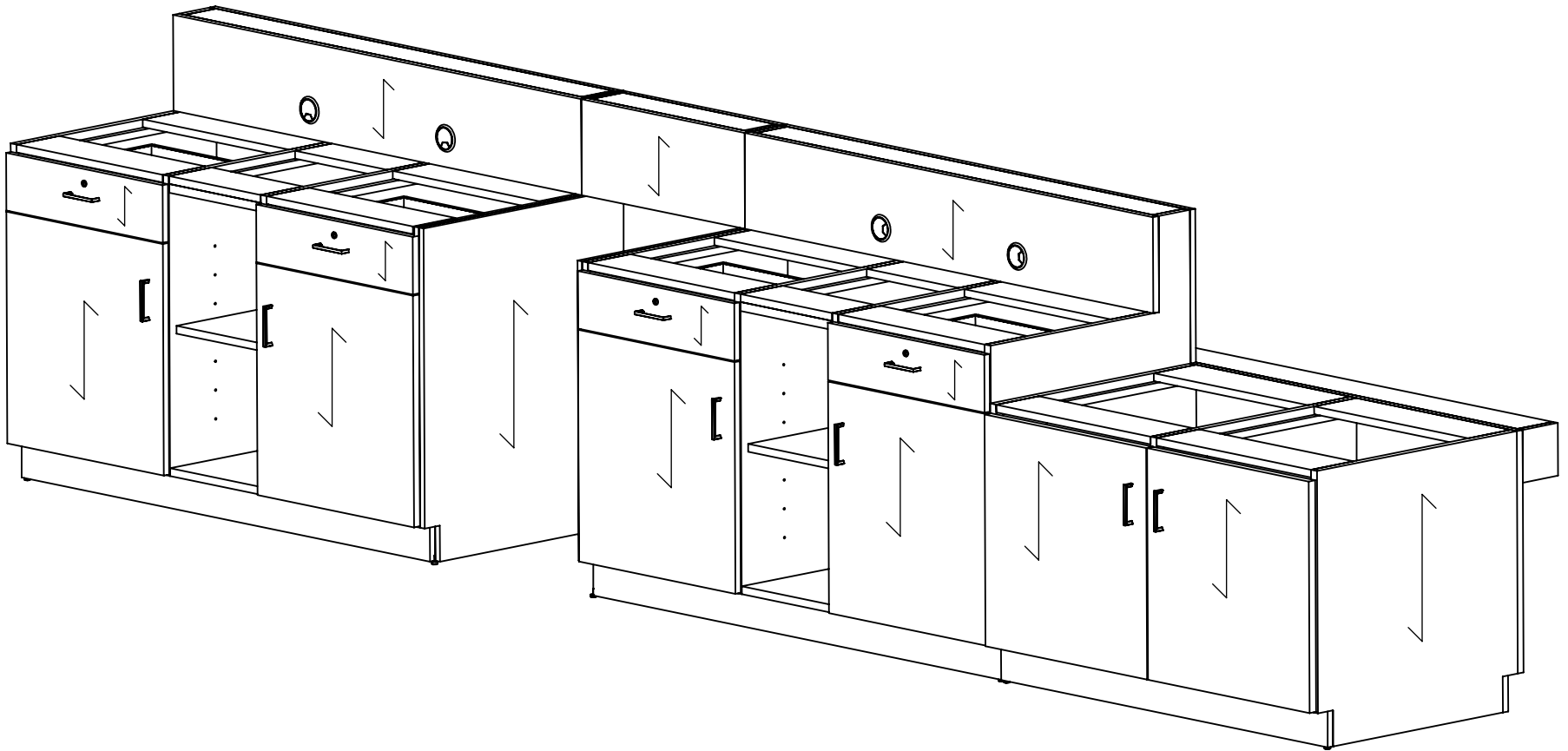


1

2

A

A



B

B

**Overall:**  
192"W x 35"D x 45 1/4"H

**MATERIALS:**

- HP-Laminate PB-3/4
- 2mm Edge Tape On Shelf
- Plywood 1/2" Drawer Box
- 16" HD-Full Extension Drawer Guide
- Metro 96mm CC Matte Black Pull 4111-1055-P

**COMMENTS:**

- Overall: 192"W x 35"D x 45 1/4"H
- Color: Wilsonart - 000 - Custom Laminate
- Color - Powder Coated Paint
- Note: Dimensional Tolerance +/- .1/16"

**TITLE:** AHL 8170XXYY LD192L - 8170M6 - 192 ADA Lobby Desk Left  
**REVISION DATE:**

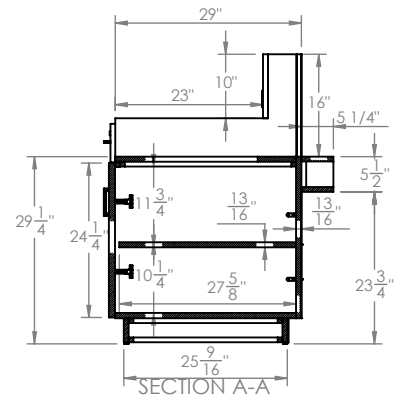
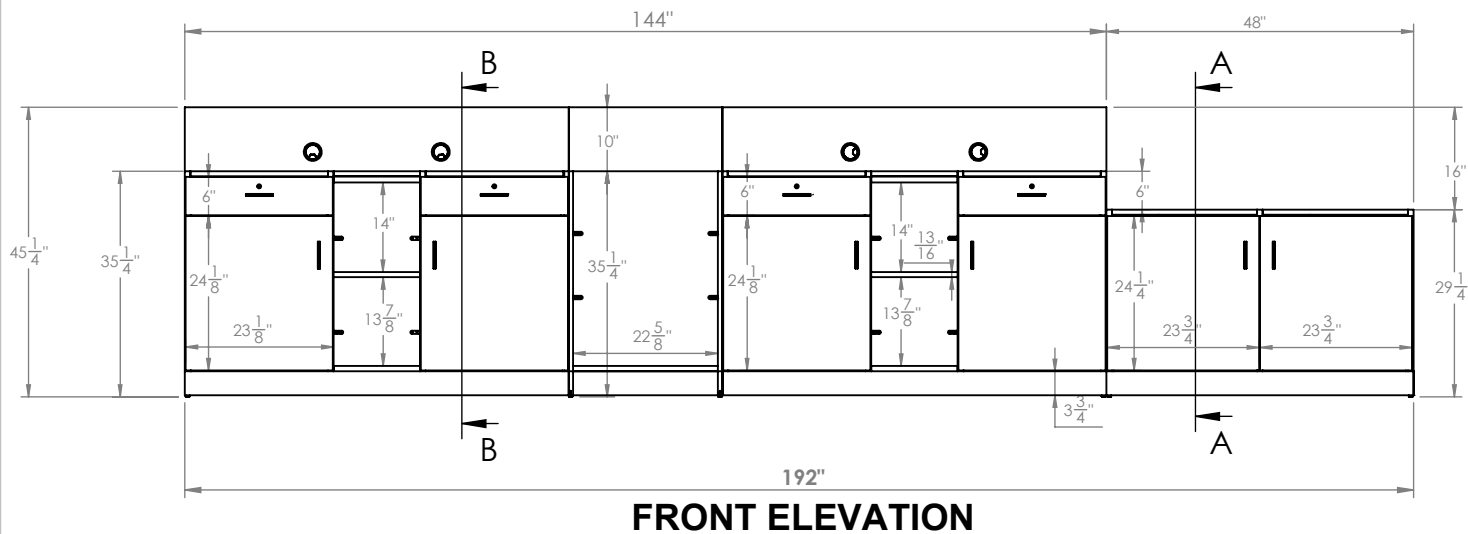
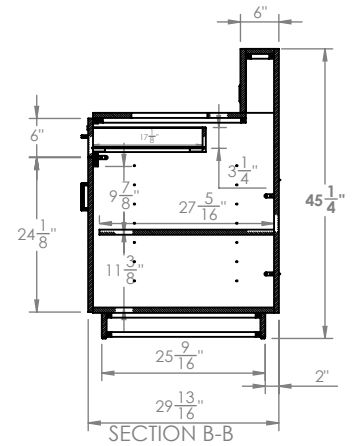
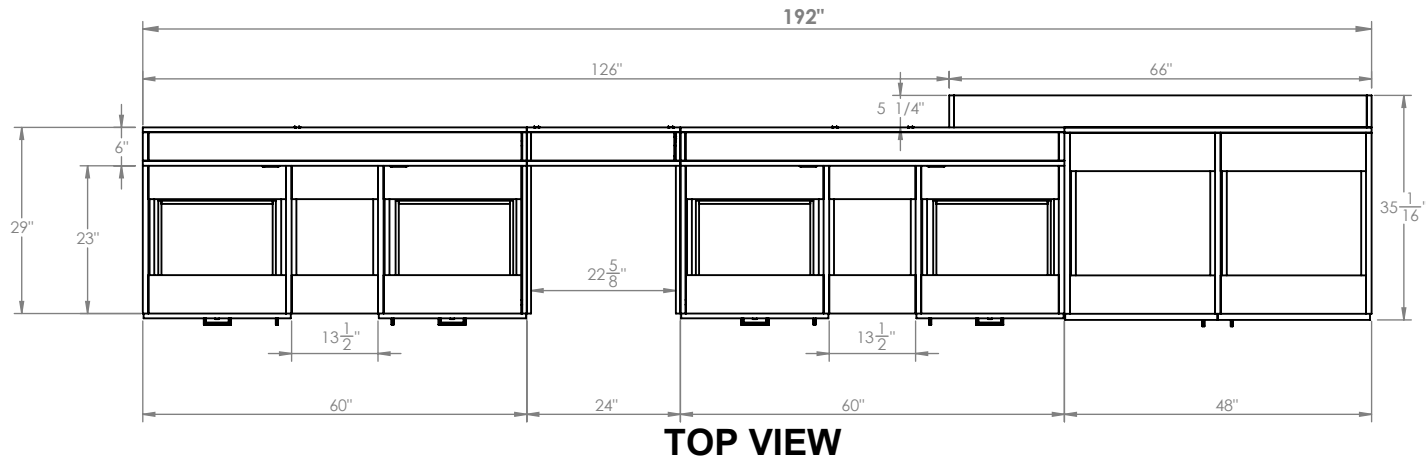
NOTE: DESIGN AND DRAWINGS ARE PROPERTY OF DICKSON FURNITURE MANUFACTURERS LLC AND MAY NOT BE DUPLICATED OR REPRODUCED WITHOUT THE EXPRESS WRITTEN CONSENT OF DICKSON FURNITURE MANUFACTURERS LLC

<b>REV</b> <b>A</b>	QUANTITY <b>00</b>	<b>DICKSON</b> FURNITURE MANUFACTURERS
	SCALE: 1:10	
	SHEET 1 OF 4	

DIMENSIONS ARE IN INCHES

1

2



**MATERIALS:**

- HP-Laminate PB-3/4
- 2mm Edge Tape On Shelf
- Plywood 1/2" Drawer Box
- 16" HD-Full Extension Drawer Guide
- Metro 96mm CC Matte Black Pull 4111-1055-P

**COMMENTS:**

- Overall: 192"W x 35"D x 45 1/4"H
- Color: Wilsonart - 000 - Custom Laminate
- Color - Powder Coated Paint
- Note: Dimensional Tolerance +/- 1/16"

**TITLE:** AHL 8170XXYY LD192L - 8170M6 - 192 ADA Lobby Desk Left

**REVISION DATE:**

NOTE: DESIGN AND DRAWINGS ARE PROPERTY OF DICKSON FURNITURE MANUFACTURERS LLC AND MAY NOT BE DUPLICATED OR REPRODUCED WITHOUT THE EXPRESS WRITTEN CONSENT OF DICKSON FURNITURE MANUFACTURERS LLC

**QUANTITY**

**00**

**REV**

**A**

DIMENSIONS ARE IN INCHES

**DICKSON**  
FURNITURE MANUFACTURERS

**SCALE: 1:30**

**SHEET 2 OF 4**



# IMPORTANT INFORMATION

- AHL 8170XXYY LD192L - 8170M6 - 192" ADA Lobby Desk Left -



Lift parts with at least 2 people

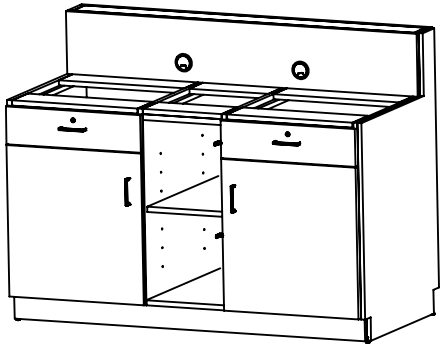
## \*RECOMMENDATIONS:

- Read instructions before assembling
- Keep area clean
- Do not drag the parts
- Do not forget to wear PPE

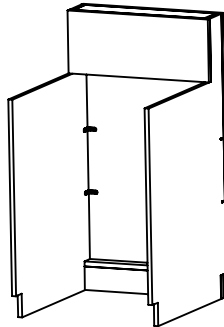
## \*PERSONAL PROTECTION EQUIPMENT (PPE)

- Hand Protection
- Eye Protection
- Waist Support belt

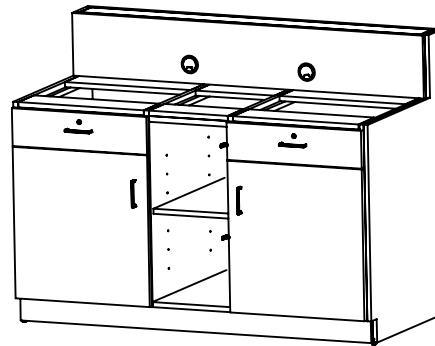
## PARTS:



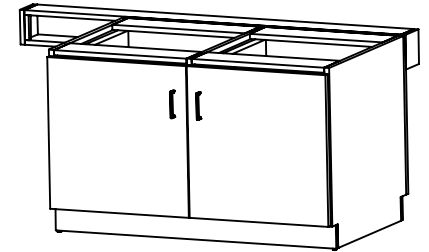
Left Pedestal



Union



Right Pedestal



Pedestal ADA

## \*Tools:



Water level



Measuring Tape



Pencil



Drill

## \*Hardware:



Screw



Shims

# DICKSON

FURNITURE MANUFACTURERS

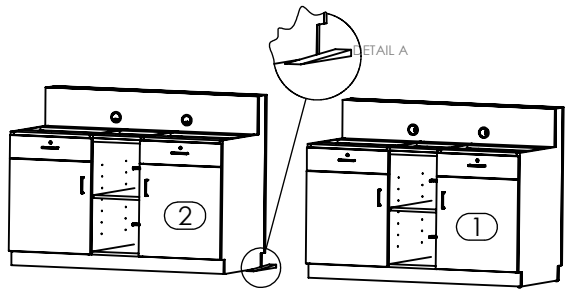
# STEP #1

# ASSEMBLY INSTRUCTIONS

- AHL 8170XXYY LD192L - 8170M6 - 192" ADA Lobby Desk Left -

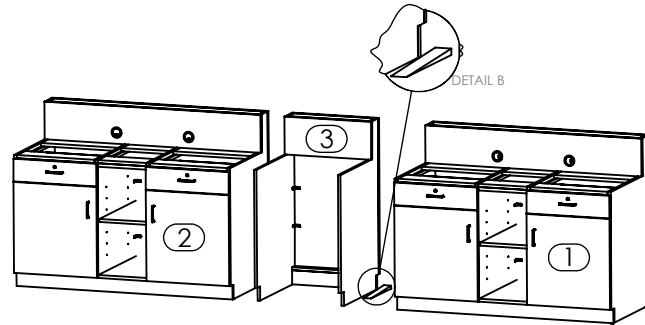
Note: Assembly can be done with 2 people.

1



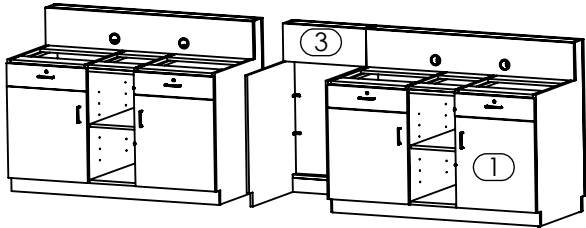
Align and Level Pedestals (1)(2) with shims and flush from the Back. Verify by using Water Level. (Reference Detail A).

2



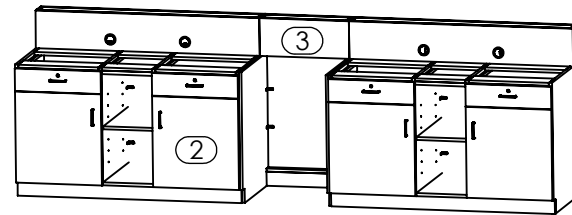
Align and Level Pedestals (1)(2) to Union (3) with shims and flush from the Back. Verify by using Water Level. (Reference Detail B).

3



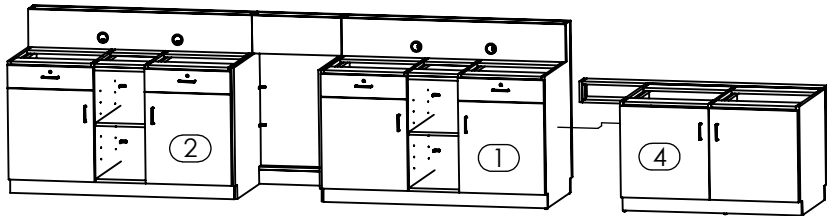
Attach Union (3) to Pedestal (1) flush from the Back.

4



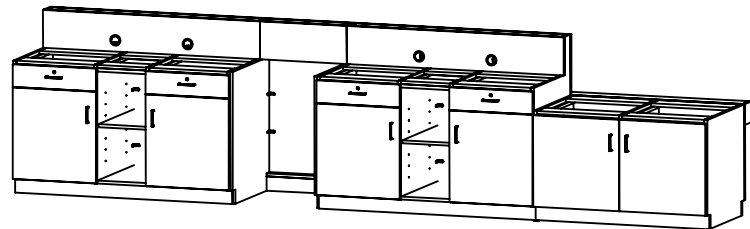
Attach Union (3) to Pedestal (2) flush from the Back.

5



Align and Attach Pedestal ADA (4) to Pedestals (1)(2), flush from the Back.

6



ADA Lobby Desk Left completely assembled