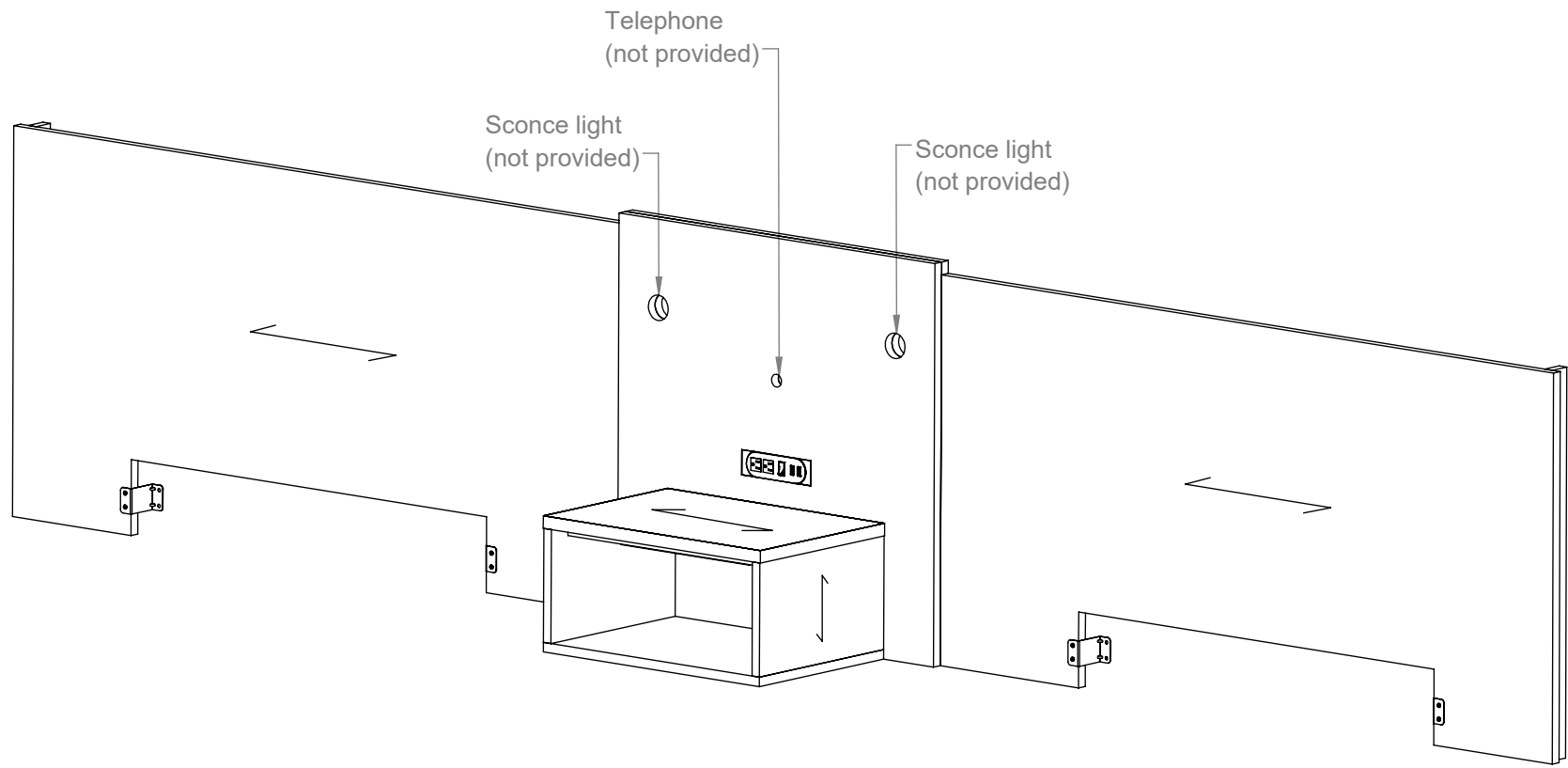


1

2



Overall:
 156"W x 18 3/8"D x 31 7/8"H

MATERIALS:

- HP-Laminate PB-1" Top
- HP-Laminate PB-3/4" Body Panels
- .018 Edge Tape
- Hardwood Framing Support
- Power Plug W/Switch
- Frosted LED Aluminum Track
-

COMMENTS:

- Overall: 156"W x 18 3/8"D x 31 7/8"H
- Color: Asian Night - 7949 - Headboard
- Color - Matt Black - 1595-60 - Side Panel
- Note: Dimensional Tolerance +/- 1/16"

TITLE: AHB 8170XXYY 31H5632 - 8170M6 - Double Queen Headboard W-32NS

REVISION DATE:

NOTE: DESIGN AND DRAWINGS ARE PROPERTY OF DICKSON FURNITURE MANUFACTURERS LLC AND MAY NOT BE DUPLICATED OR REPRODUCED WITHOUT THE EXPRESS WRITTEN CONSENT OF DICKSON FURNITURE MANUFACTURERS LLC

DICKSON
 FURNITURE MANUFACTURERS

REV
A
 DIMENSIONS
 ARE IN
 INCHES

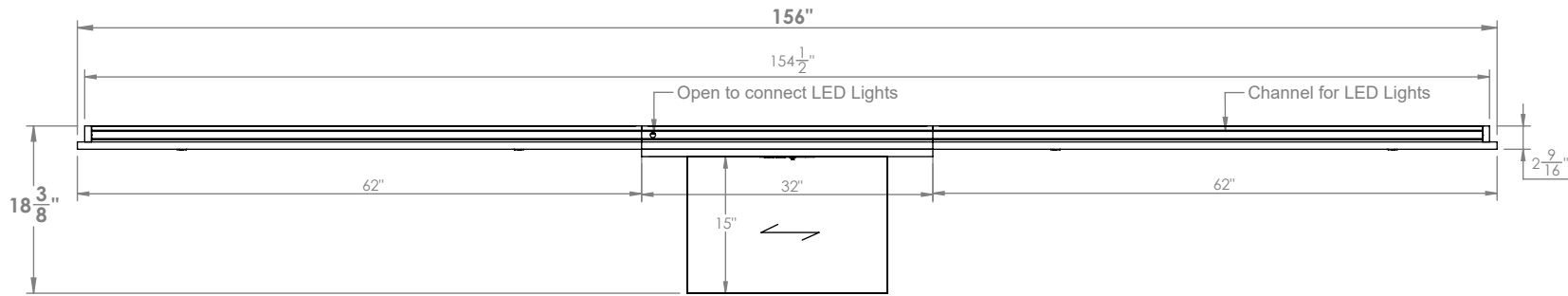
SCALE: 1:14
 SHEET 1 OF 5

1

2

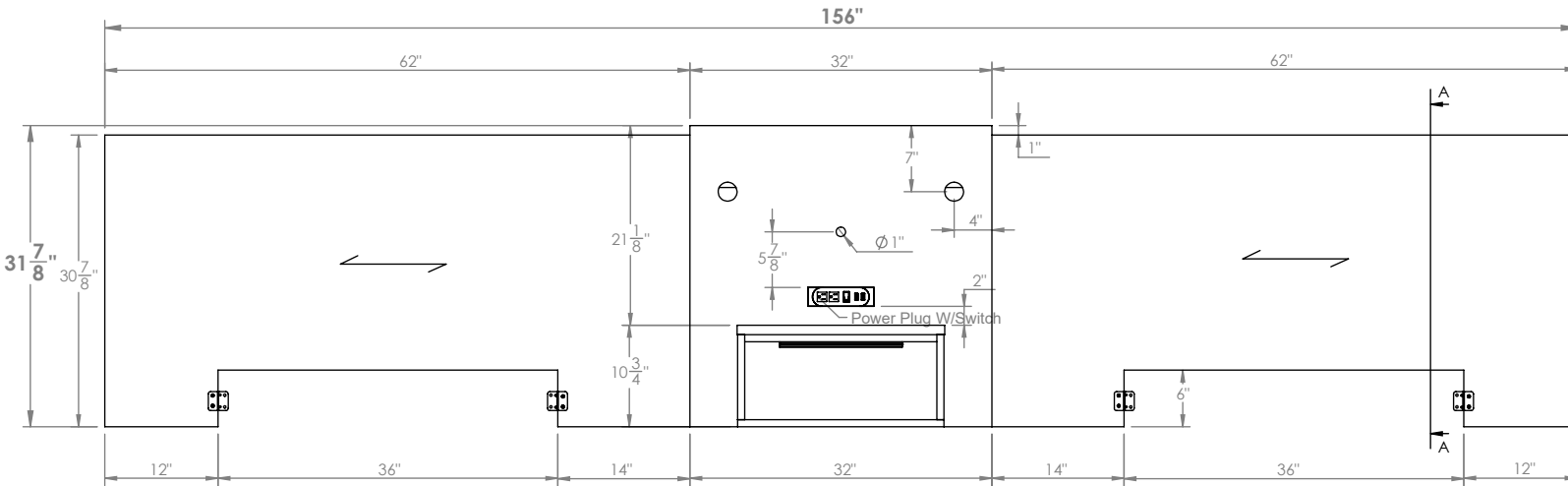
1

2



TOP VIEW

DETAIL B
SCALE 1 : 8



FRONT ELEVATION

SIDE VIEW
SECTION A-A

MATERIALS:

- HP-Laminate PB-1" Top
- HP-Laminate PB-3/4" Body Panels
- .018 Edge Tape
- Hardwood Framing Support
- Power Plug W/Switch
- Frosted LED Aluminum Track

COMMENTS:

- Overall: 156"W x 18 3/8"D x 31 7/8"H
- Color: Asian Night - 7949 - Headboard
- Color - Matt Black - 1595-60 - Side Panel
- Note: Dimensional Tolerance +/- .1/16"

TITLE: AHB 8170XXYY 31H5532 - 8170M6 - Double Queen Headboard W-32NS

REVISION DATE:

NOTE: DESIGN AND DRAWINGS ARE PROPERTY OF DICKSON FURNITURE MANUFACTURERS LLC AND MAY NOT BE DUPLICATED OR REPRODUCED WITHOUT THE EXPRESS WRITTEN CONSENT OF DICKSON FURNITURE MANUFACTURERS LLC

REV
A
DIMENSIONS
ARE IN
INCHES

DICKSON
FURNITURE MANUFACTURERS

SCALE: 1:20
SHEET 2 OF 5

1

2



IMPORTANT INFORMATION

- AHB 8170XXYY 31H5532 - 8170M6 - Double Queen Headboard W-32NS -



Lift parts with at least 2 people

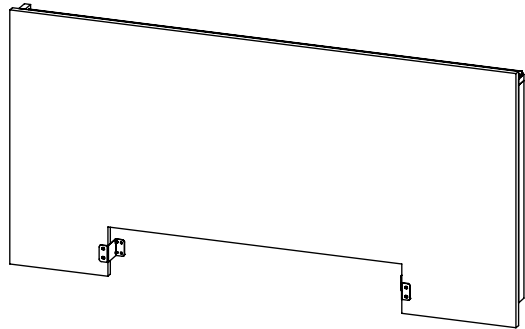
*RECOMMENDATIONS:

- Read instructions before installing
- Keep area clean
- Do not drag the parts
- Do not forget to wear PPE

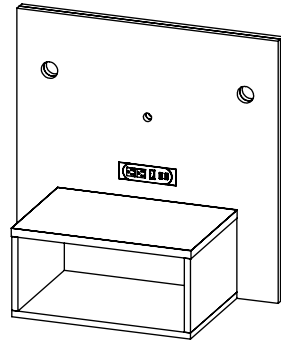
*PERSONAL PROTECTION EQUIPMENT (PPE)

- Hand Protection
- Eye Protection
- Waist Support belt

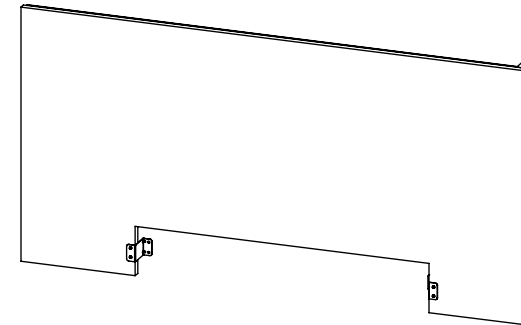
PARTS TO INSTALL:



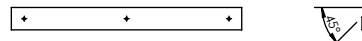
Left Headboard



Center Panel



Right Headboard



French Wall Cleats

*Tools:



Water level



Measuring Tape



Pencil



Rubber Hammer



Drill

*Hardware:



ScREW

DICKSON

FURNITURE MANUFACTURERS

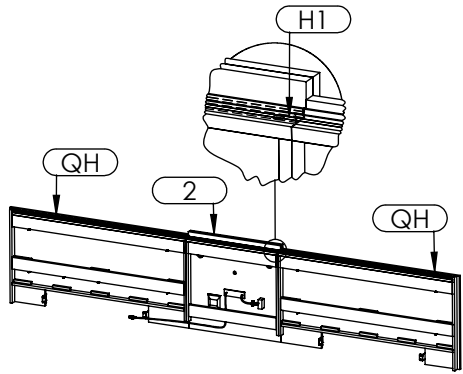
INSTALLATION INSTRUCTIONS

- AHB 8170XXYY 31H5532 - 8170M6 - Double Queen Headboard W-32NS -

STEP #1

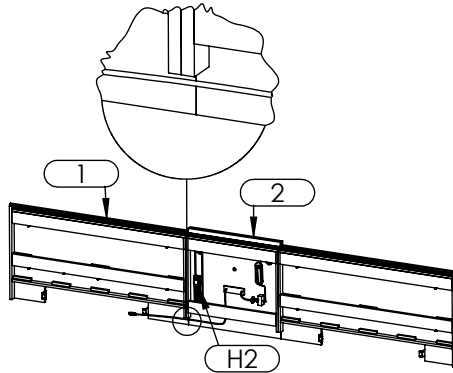
Note: To lift Center Panel (2), Left Headboard (3) and Right Headboard (1) use at least 2 people.

1



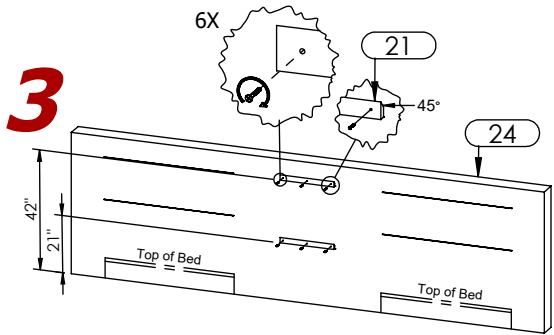
With Queen Headboard (QH) aligned and with a screwdriver, remove the plastic top on the Channels (H1) and plug LED lights to the connector located in Center Panel (2) back.

2



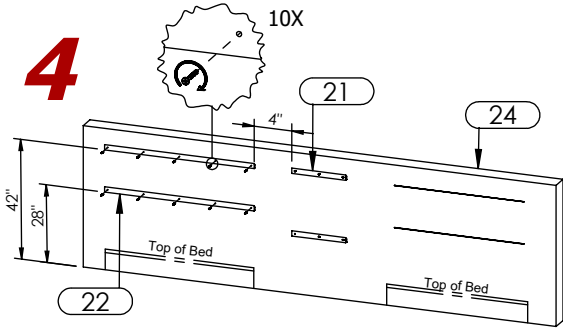
Unroll power plug wire in Center Panel (2) back and pass it under the Right Headboard (1). Open the box with the Surge Protector Box (H2).

3



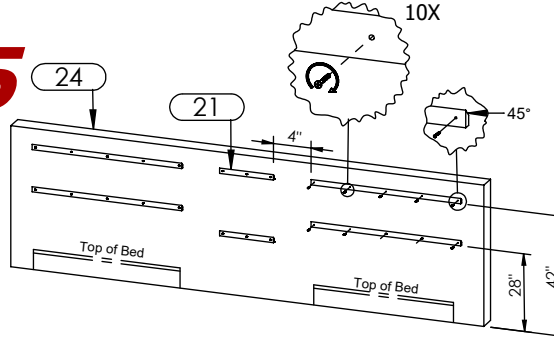
Center platform bed on Headboards wall and mount Center French Wall Cleats (21) on Wall (24) in the middle of both Bed Platforms to a height of 42" and 21" from floor. Screws go into studs.

4



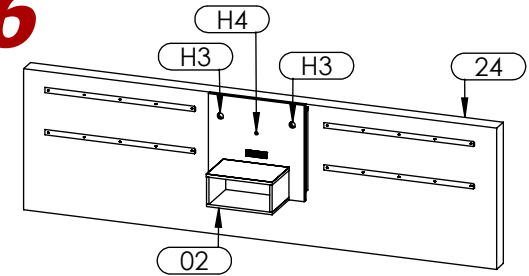
Mount Left French Wall Cleats (22) on Wall (24) 4" away from Center French Wall Cleats (21) to a height of 42" and 28" from floor. Screws go into studs.

5



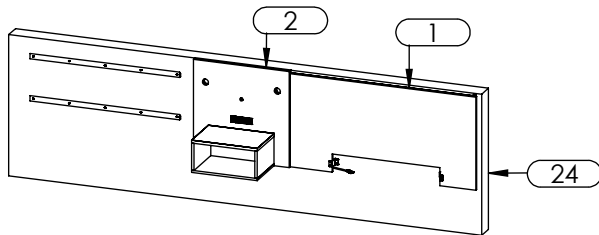
Mount Right French Wall Cleats (22) on Wall (24) 4" away from Center French Wall Cleats (21) to a height of 42" and 28" from floor. Screws go into studs.

6



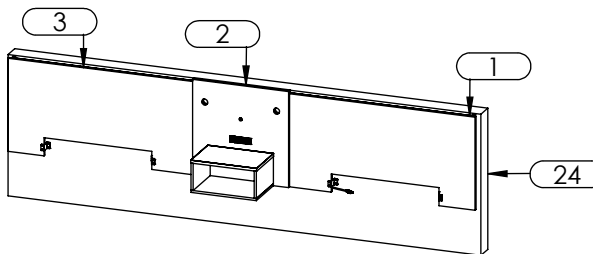
Attach Sconce Light (H3) and Telephone (H4) before mounting Panel. Lift Center Panel (2) higher than Center French Wall Cleats (21) and slowly slide it down until it holds on Wall (24).

7



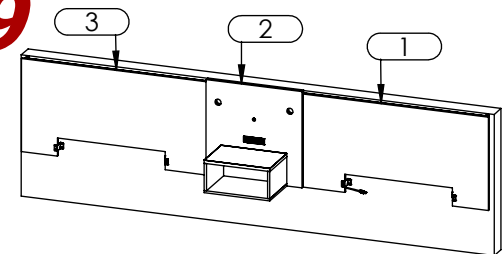
Lift Right Headboard (1) higher than Side French Wall Cleats (22) on the right side of Center Panel (2) and slowly slide it down until it holds on Wall (24). Beware not to leave the wiring in the back.

8



Lift Left Headboard (3) higher than French Wall Cleats (22) on the left side of Center Panel (2) and slowly slide it down until it holds on Wall (24). Beware not to leave the wiring in the back.

9



Cut to fit LED and remove the paper under the LED lights to apply lights to Metal Channel and replace the plastic on the Channel. Connect Side Panels Power Plugs to Surge Protector Box and test if there's electricity.

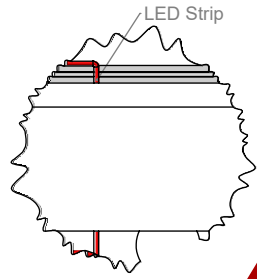
DICKSON

FURNITURE MANUFACTURERS

WIRE MANAGEMENT DETAILS

- AHB 8170XXYY 31H5532 - 8170M6 - Double Queen Headboard W-32NS -

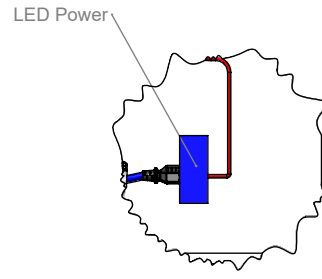
STEP #1



DETAIL A

A

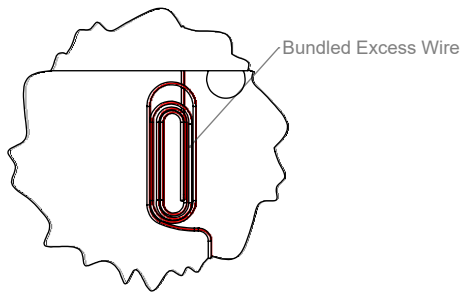
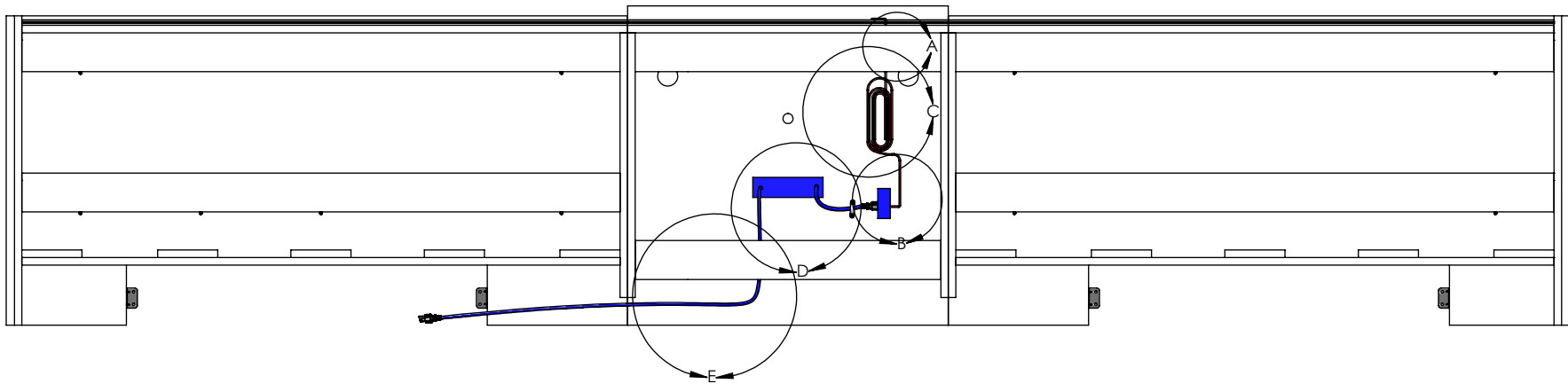
-LED strip is fed through hole in top nightstand panel and down through provided wire management clip (A).



DETAIL B

B

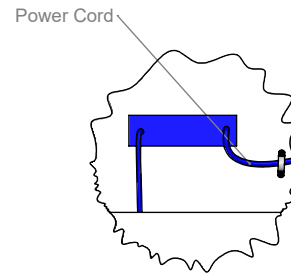
-LED power supply is connected to switch power plug (B) which is attached with wire management clip.



DETAIL C

C

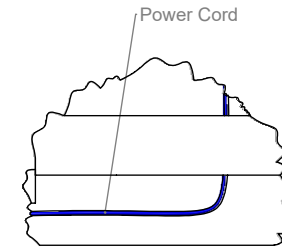
-Excess wire is bundled and twist-tied to wire management clip (C).



DETAIL D

D

-Power Cords should be routed through opening at bottom of nightstand panel (D).



DETAIL E

E

-Depending on installation, power cords can be run under and behind headboard (E) and over to power strip.

DICKSON

FURNITURE MANUFACTURERS