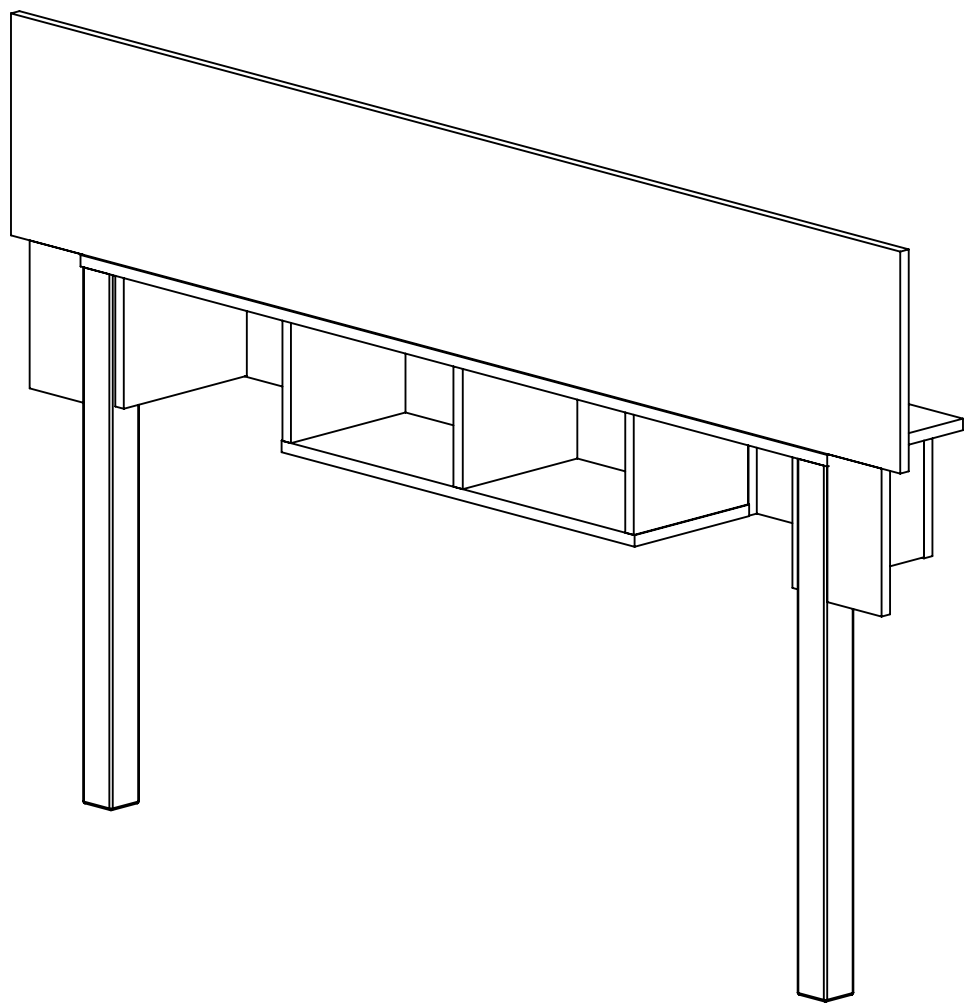


1

2



OVERALL:
48"D x 24"W x 30"H

MATERIALS:
 - HP-Laminate PB-5/8"
 - 0.018 Edge Tape
 - Wood Leg 27"H

COMMENTS:
 - Overall: 55"W x 10"D x 29 11/16"H
 - Color: Wilsonart - Cocobala - 7942
 - Note:

TITLE: AHB 8100CCB TW55 - 8100Red Roof - Adj. Towel Cubby 55"W
REVISION DATE: 3/30/2022
 NOTE: DESIGN AND DRAWINGS ARE PROPERTY OF DICKSON FURNITURE MANUFACTURERS LLC AND MAY NOT BE DUPLICATED OR REPRODUCED WITHOUT THE EXPRESS WRITTEN CONSENT OF DICKSON FURNITURE MANUFACTURERS LLC

REV A	QUANTITY 00	DICKSON FURNITURE MANUFACTURERS
	DIMENSIONS ARE IN INCHES	
SCALE: 1:10		SHEET 1 OF 3

1

2

A

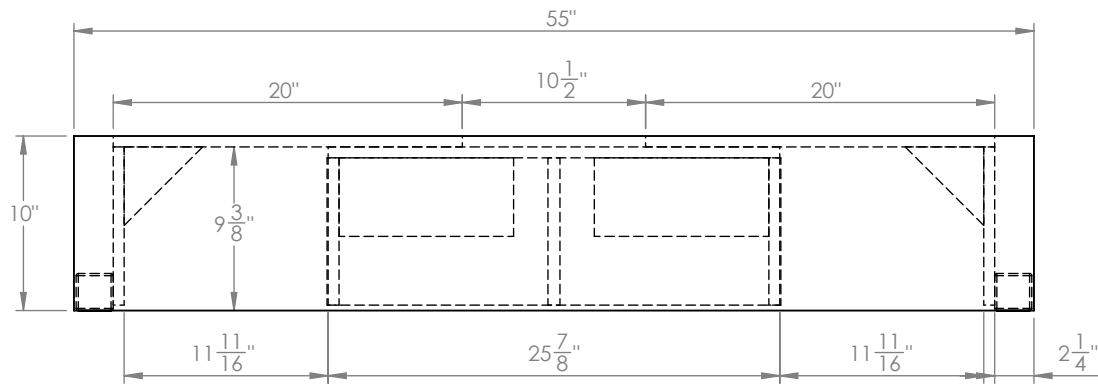
A

B

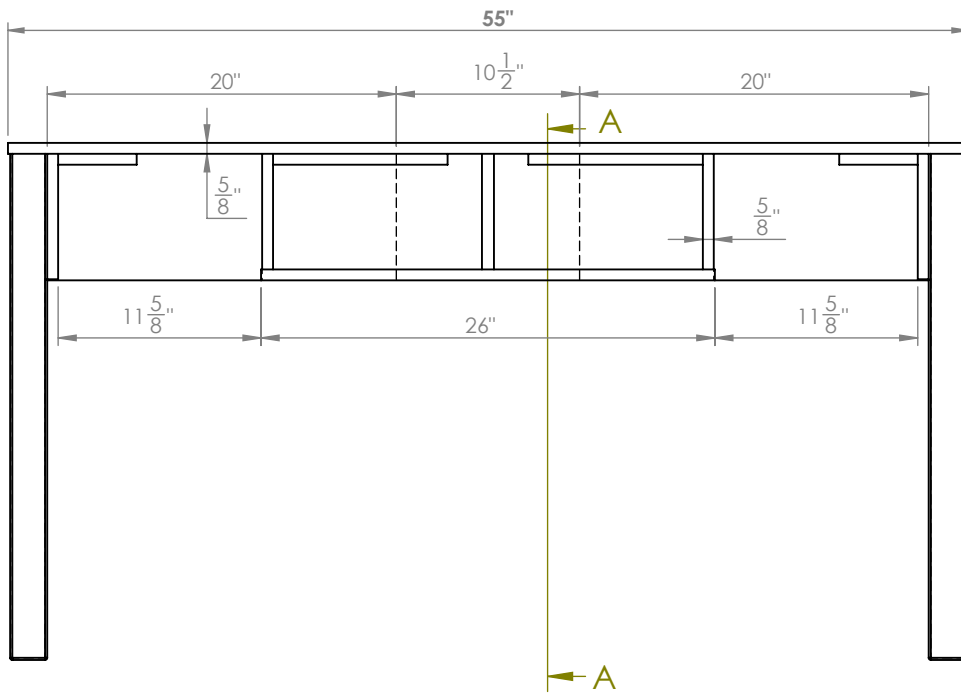
B

1

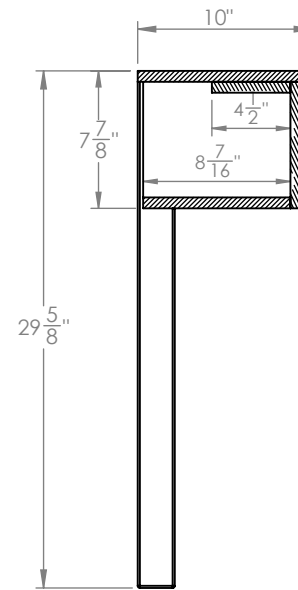
2



TOP VIEW



FRONT ELEVATION



SECTION A-A

MATERIALS:
 - HP-Laminate PB-5/8"
 - 0.018 Edge Tape
 - Wood Leg 27H

COMMENTS:
 - Overall: 55"W x 10"D x 29 11/16"H
 - Color: Wilsonart - Cocobala - 7942
 - Note:

TITLE: AHB 8100CCB TW55 - 8100Red Roof - Adj. Towel Cubby 55"W
REVISION DATE: 3/30/2022

NOTE: DESIGN AND DRAWINGS ARE PROPERTY OF DICKSON FURNITURE MANUFACTURERS LLC AND MAY NOT BE DUPLICATED OR REPRODUCED WITHOUT THE EXPRESS WRITTEN CONSENT OF DICKSON FURNITURE MANUFACTURERS LLC

QUANTITY 00	DICKSON FURNITURE MANUFACTURERS
REV A	SHEET 2 OF 3
<small>DIMENSIONS ARE IN INCHES</small>	

1

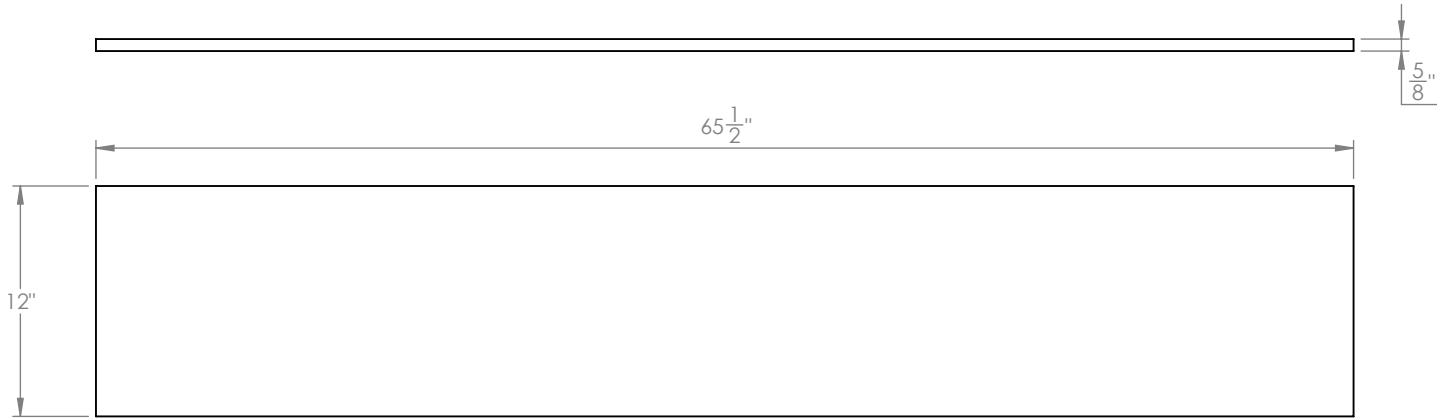
2

A

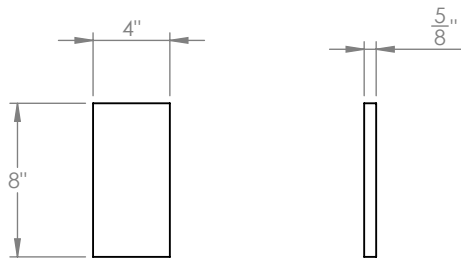
A

B

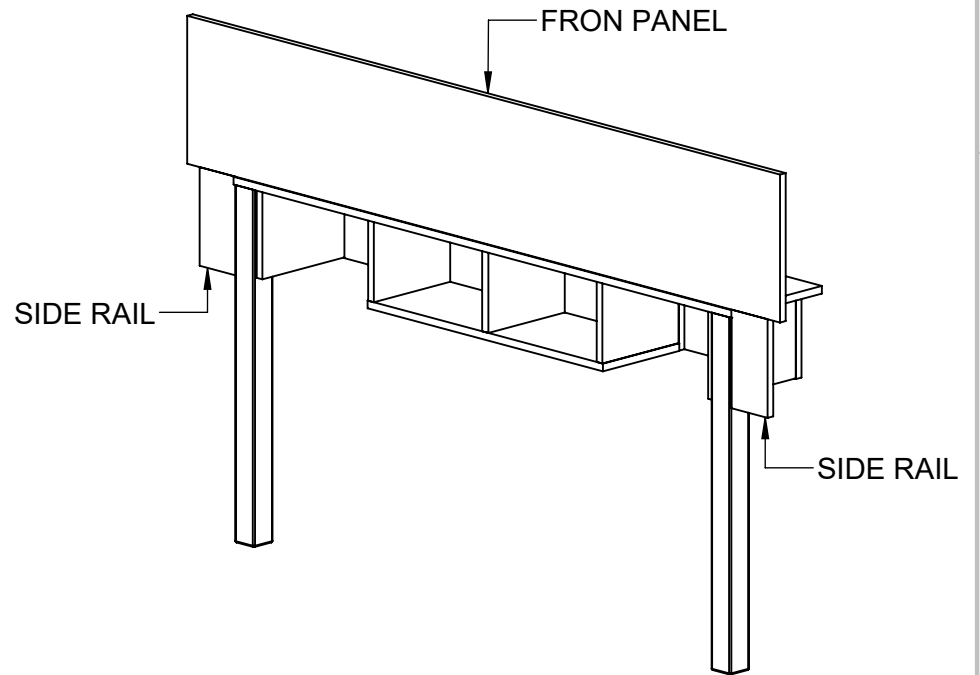
B



FRONT PANEL (X-1)



SIDE RAIL (X-2)



MATERIALS:
 - HP-Laminate PB-5/8"
 - 0.018 Edge Tape
 - Wood Leg 27"H

COMMENTS:
 - Overall: 55"W x 10"D x 29 11/16"H
 - Color: Wilsonart - Cocobala - 7942
 - Note:

TITLE: AHB 8100CCB TW55 - 8100Red Roof - Adj. Towel Cubby 55"W
REVISION DATE: 3/30/2022

NOTE: DESIGN AND DRAWINGS ARE PROPERTY OF DICKSON FURNITURE MANUFACTURERS LLC AND MAY NOT BE DUPLICATED OR REPRODUCED WITHOUT THE EXPRESS WRITTEN CONSENT OF DICKSON FURNITURE MANUFACTURERS LLC

DICKSON FURNITURE MANUFACTURERS	QUANTITY 00
	REV A
SCALE: 1:10	
SHEET 3 OF 3	

DIMENSIONS ARE IN INCHES