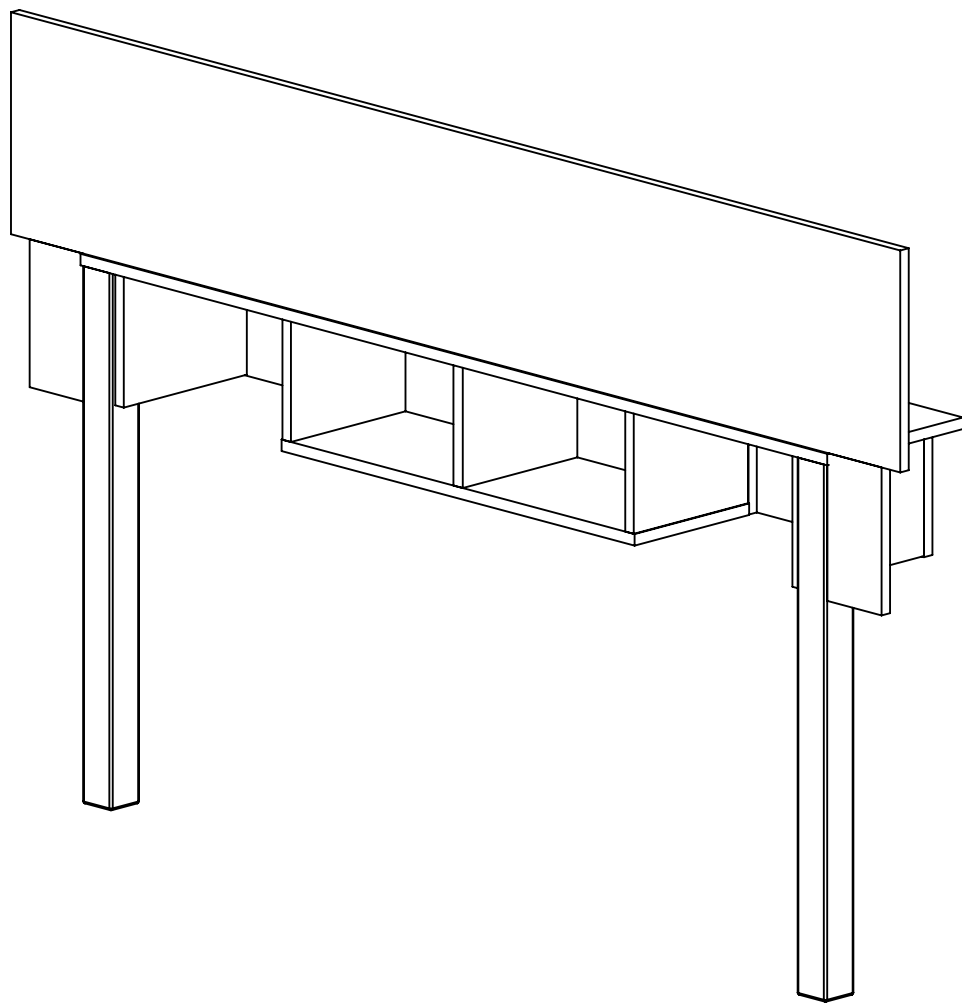


1

2



OVERALL:
 55"W x 10"D x 29 11/16"H

MATERIALS:
 - HP-Laminate PB-5/8"
 - 0.018 Edge Tape
 - Wood Leg 27"H

COMMENTS:
 - Overall: 55"W x 10"D x 29 11/16"H
 - Color: Wilsonart - Cocobala - 7942
 - Note:

TITLE: AHB 8100CCB TW55 - 8100Red Roof - Adj. Towel Cubby 55"W
REVISION DATE: 4/7/2022
 NOTE: DESIGN AND DRAWINGS ARE PROPERTY OF DICKSON FURNITURE MANUFACTURERS LLC AND MAY NOT BE DUPLICATED OR REPRODUCED WITHOUT THE EXPRESS WRITTEN CONSENT OF DICKSON FURNITURE MANUFACTURERS LLC

REV A <small>DIMENSIONS ARE IN INCHES</small>	<small>QUANTITY</small> 00	DICKSON <small>FURNITURE MANUFACTURERS</small>
	SCALE: 1:10 SHEET 1 OF 5	

1

2

A

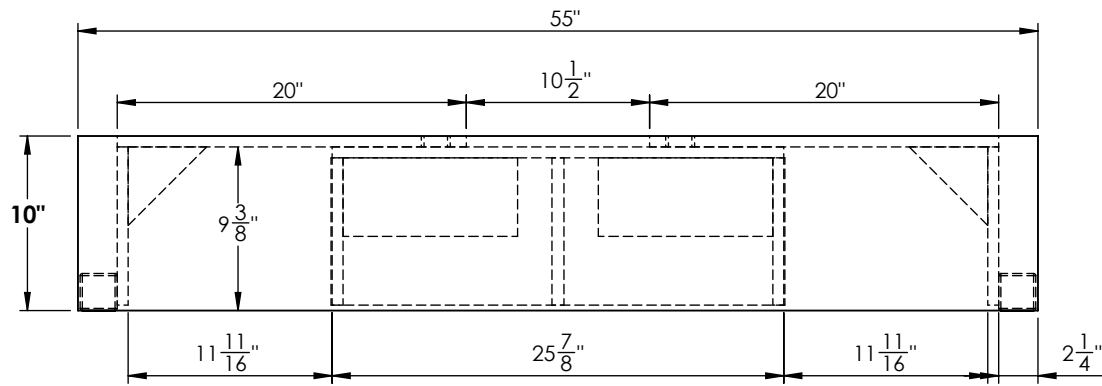
A

B

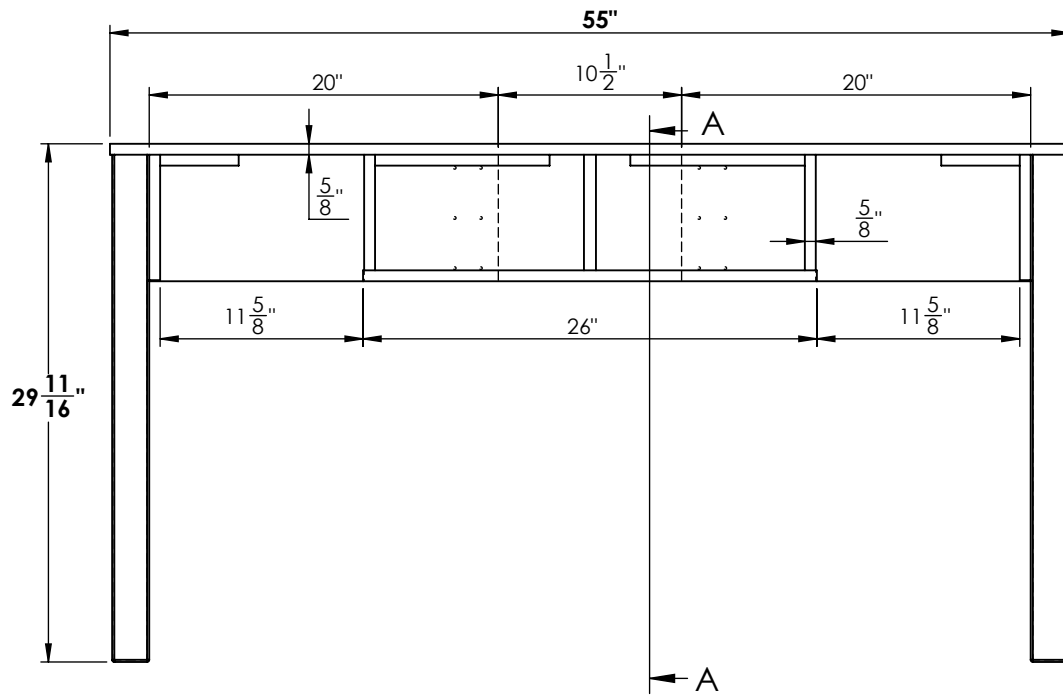
B

1

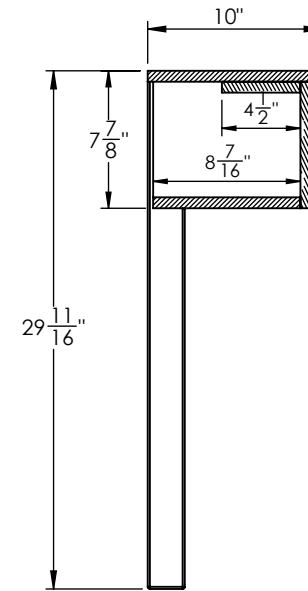
2



TOP VIEW



FRONT ELEVATION



SECTION A-A

MATERIALS:
 - HP-Laminate PB-5/8"
 - 0.018 Edge Tape
 - Wood Leg 27"H

COMMENTS:
 - Overall: 55"W x 10"D x 29 11/16"H
 - Color: Wilsonart - Cocobala - 7942
 - Note:

TITLE: AHB 8100CCB TW55 - 8100Red Roof - Adj. Towel Cubby 55"W
REVISION DATE: 4/7/2022

NOTE: DESIGN AND DRAWINGS ARE PROPERTY OF DICKSON FURNITURE MANUFACTURERS LLC AND MAY NOT BE DUPLICATED OR REPRODUCED WITHOUT THE EXPRESS WRITTEN CONSENT OF DICKSON FURNITURE MANUFACTURERS LLC

DICKSON FURNITURE MANUFACTURERS	QUANTITY	SCALE: 1:11 SHEET 2 OF 5
	00	
REV	A	
DIMENSIONS ARE IN INCHES		

1

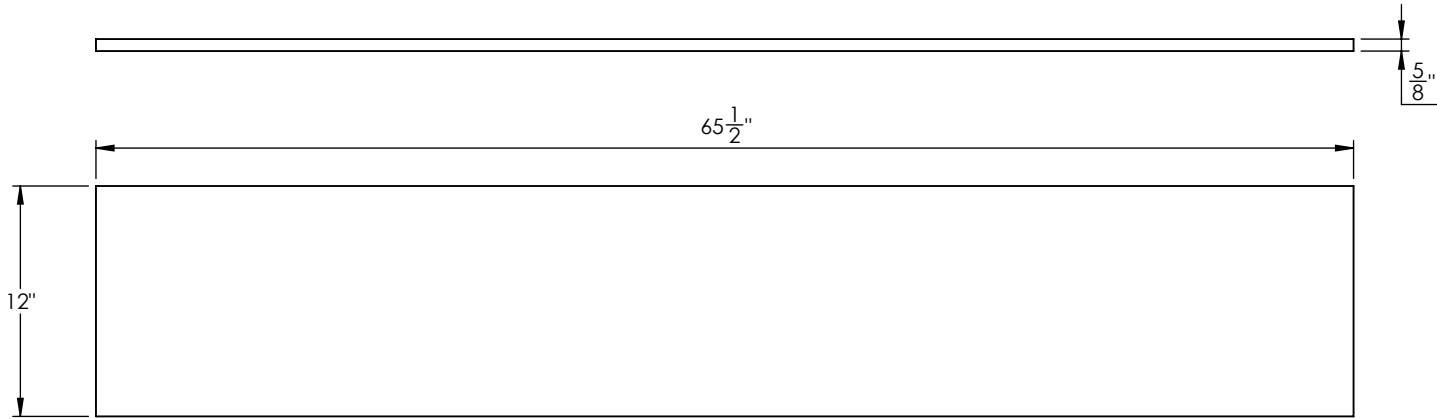
2

A

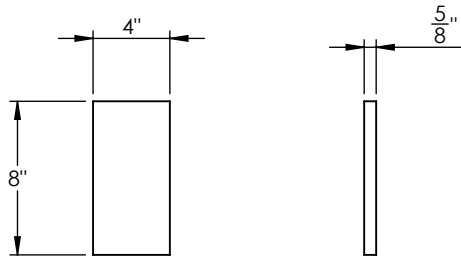
A

B

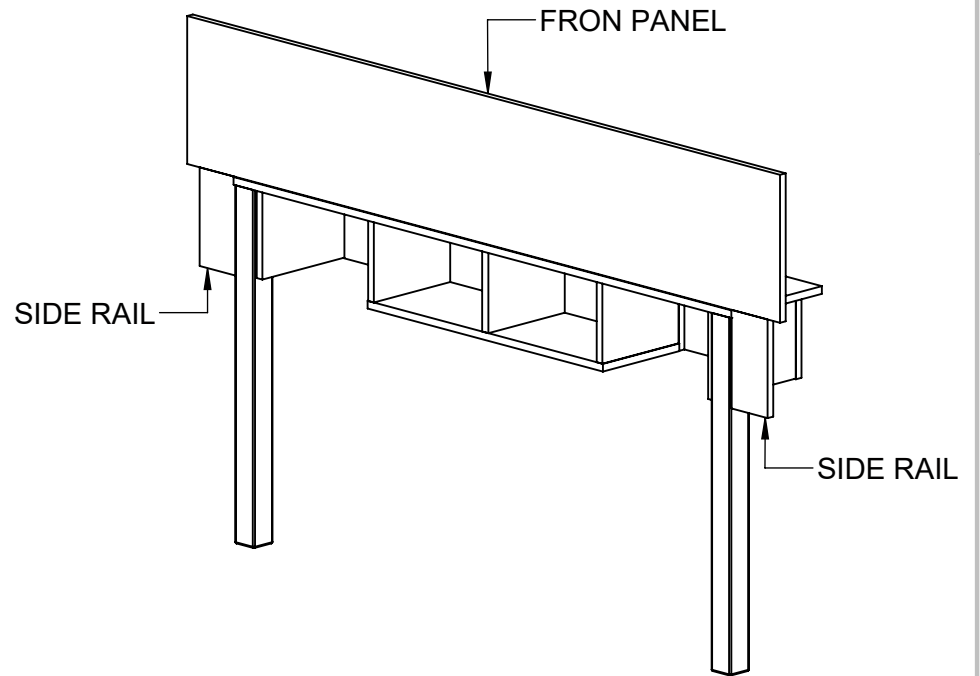
B



FRONT PANEL (X-1)



SIDE RAIL (X-2)



MATERIALS:
 - HP-Laminate PB-5/8"
 - 0.018 Edge Tape
 - Wood Leg 27"H

COMMENTS:
 - Overall: 55"W x 10"D x 29 11/16"H
 - Color: Wilsonart - Cocobala - 7942
 - Note:

TITLE: AHB 8100CCB TW55 - 8100Red Roof - Adj. Towel Cubby 55"W
REVISION DATE: 4/7/2022

NOTE: DESIGN AND DRAWINGS ARE PROPERTY OF DICKSON FURNITURE MANUFACTURERS LLC AND MAY NOT BE DUPLICATED OR REPRODUCED WITHOUT THE EXPRESS WRITTEN CONSENT OF DICKSON FURNITURE MANUFACTURERS LLC

QUANTITY 00	REV A	DIMENSIONS ARE IN INCHES	DICKSON
			FURNITURE MANUFACTURERS
		SCALE: 1:10	
		SHEET 3 OF 5	



IMPORTANT INFORMATION

- 8100Red Roof - Adj. Towel Cubby 55"W -



Lift parts with at least 2 people.

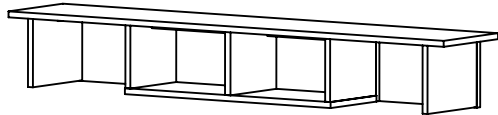
+RECOMMENDATIONS:

- Read instructions before installing.
- Keep area clean.
- Do not drag the parts.
- Do not forget to wear PPE.

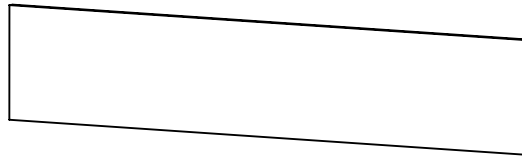
+PERSONAL PROTECTION EQUIPMENT (PPE):

- Hand Protection.
- Eye Protection.
- Waist Support Belt.

Parts:



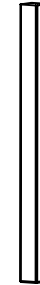
Towel Cubby



Front Panel



Side Rail (2)



Legs (4)

+Tools:



Electric screwdriver

+Hardware:



Screw

DICKSON

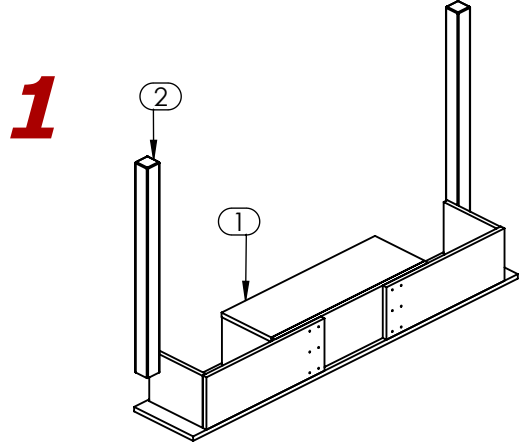
FURNITURE MANUFACTURERS

STEP #1

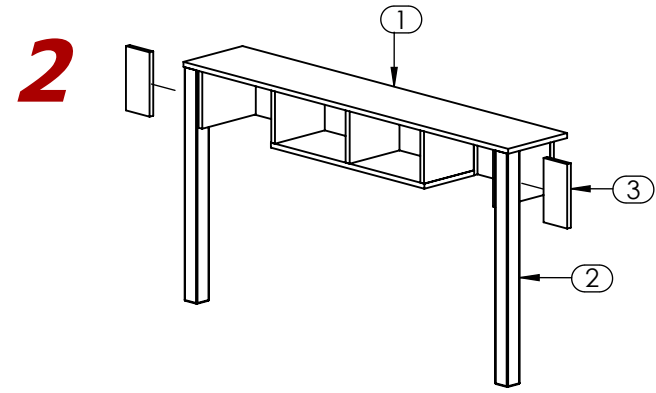
Note: Assembly can be done with one person.

ASSEMBLY INSTRUCTIONS

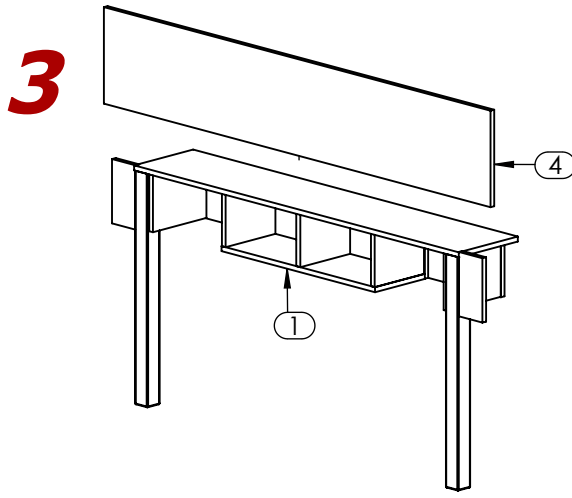
- 8100Red Roof - Adj. Towel Cubby 55"W -



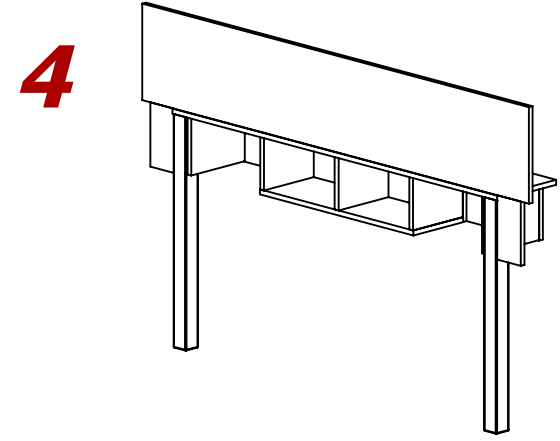
Upside down Towel Cubby (1) onto a clean surface on the ground and Attach Legs (2).



Turn Towel Cubby (1) right-side up and attach Side Rails (3) on each side.



Attach Front Panel (4) to Cubby (1).



Towel Cubby 55"W completely assembled.